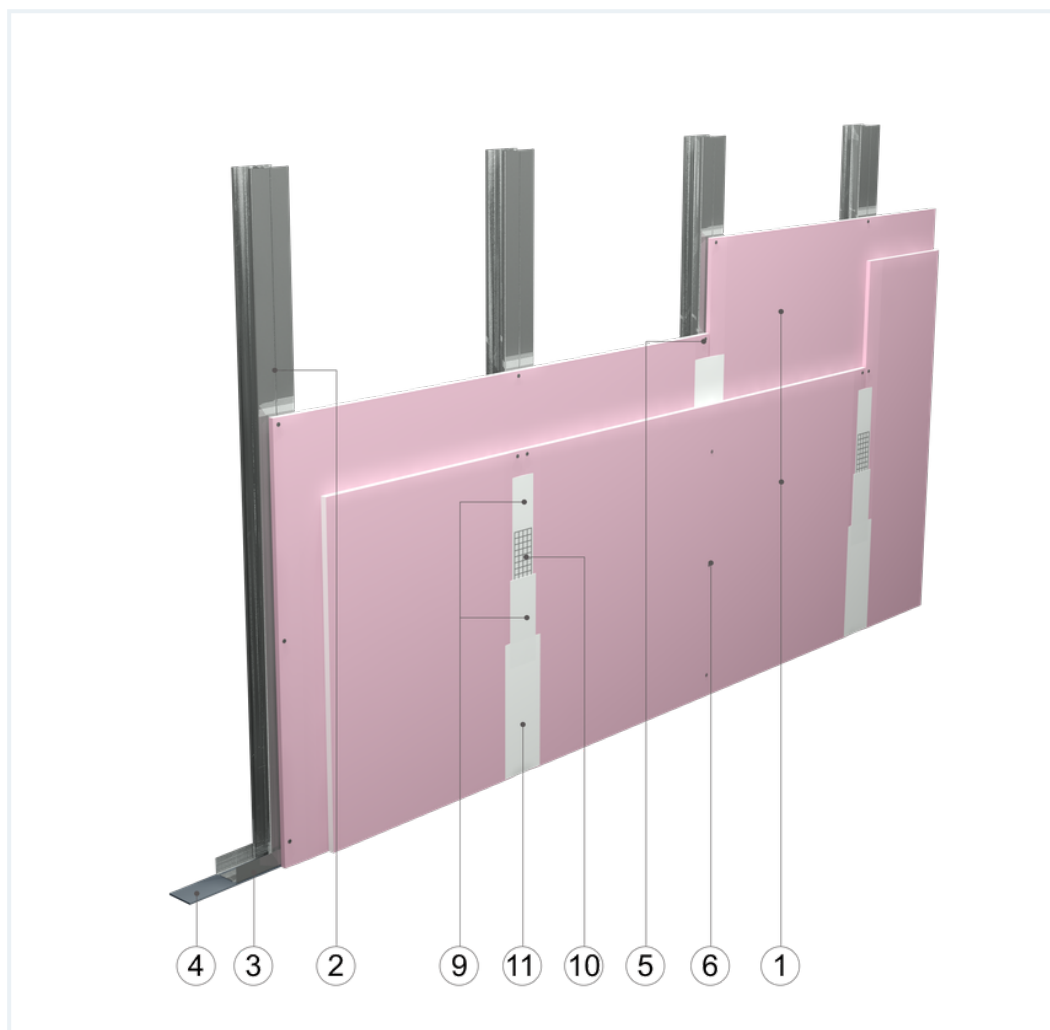


## SYSTEM DATASHEET

### Covering wall SO - 2x15 GKF DF/CW 50+CW 50 (W)





on a double structure of CW 50 and UW 50 profiles with double sheathing of DF type GKF boards with a thickness of 15 mm, with optional mineral wool filling



## Covering wall elements

1. Norgips S GKF type DF gypsum plasterboard , thickness: 15 mm
2. Norgips CW 50 profiles, max. axial spacing every 60 cm
3. Norgips UW 50 profiles mounted on horizontal load-bearing elements
4. Norgips sealing tape, width 50 mm
5. Norgips 3.5 x 25 mm sheet metal screws, max. spacing every 75 cm
6. Norgips 3.5 x 35 mm sheet metal screws, max. spacing every 25 cm
7. Norgips 3.5 x 9.5 mm sheet metal screws, max. spacing every 50 cm
8. Fastening pins, min. Ø 6 x 40 mm, max. spacing every 80 cm
9. Norgips Start & Finish ready-made joint compound or Norgips Start gypsum joint compound
10. Norgips reinforcing tape
11. Ready-made joint compound Norgips Extra Finish, ready-made joint compound Norgips Start & Finish, gypsum joint compound Norgips Finish
12. Optional mineral wool

## Technical data

 Fire resistance class EI 60 <sup>1) 2)</sup>	 Max height 3.4 m <sup>1)</sup>
 Wall mass 31 kg/m <sup>2</sup> <sup>3)</sup>	 Acoustic insulation $\Delta R_w$ =up to 12 dB <sup>4)</sup>

The above-mentioned parameters apply to a partition made of sheet metal profiles with a thickness of 0.55 and 0.6 mm.

- 1) The stated heights apply to constructions with a profile spacing of 600 mm. When a structure with profiles spaced every 300 or 400 mm is used, the permissible wall height increases. Contact system provider representatives for details. The stated heights apply to rooms where only a few persons are present simultaneously (e.g. rooms in flats, hotels, hospitals). In rooms where a large number of persons are present simultaneously (e.g. conference rooms, classrooms, lecture halls), the permissible height is 2.5 m.
- 2) Na podstawie klasyfikacji nr LBO-057-KZ/25
- 3) The weight specified does not include the insulation material weight.
- 4) Estimated increase in acoustic insulation effectiveness on the basis of the DIN 4109 standard

## Standard

☆☆☆ SUPER

It provides a very stable building with the highest fire resistance, sound insulation and hardness.



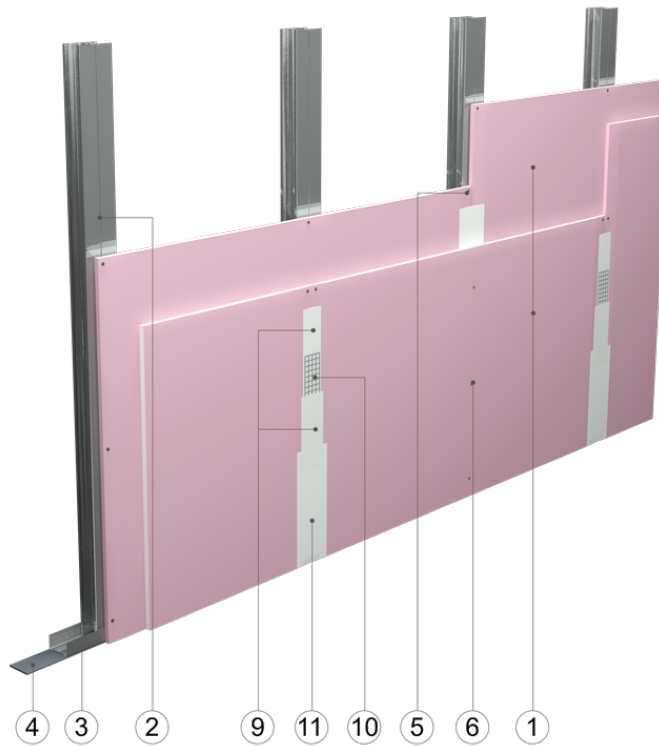


Fig. 1. Curtain wall view

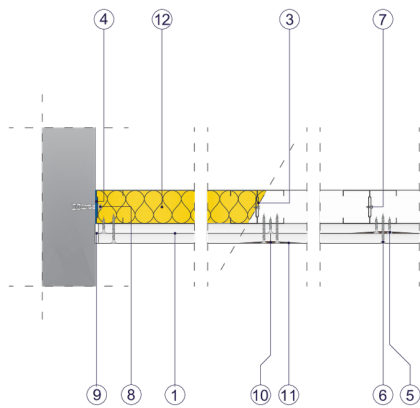


Fig. 2. Curtain wall horizontal section

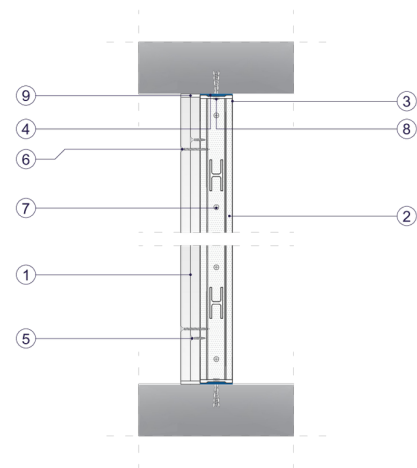


Fig. 3. Curtain wall vertical section