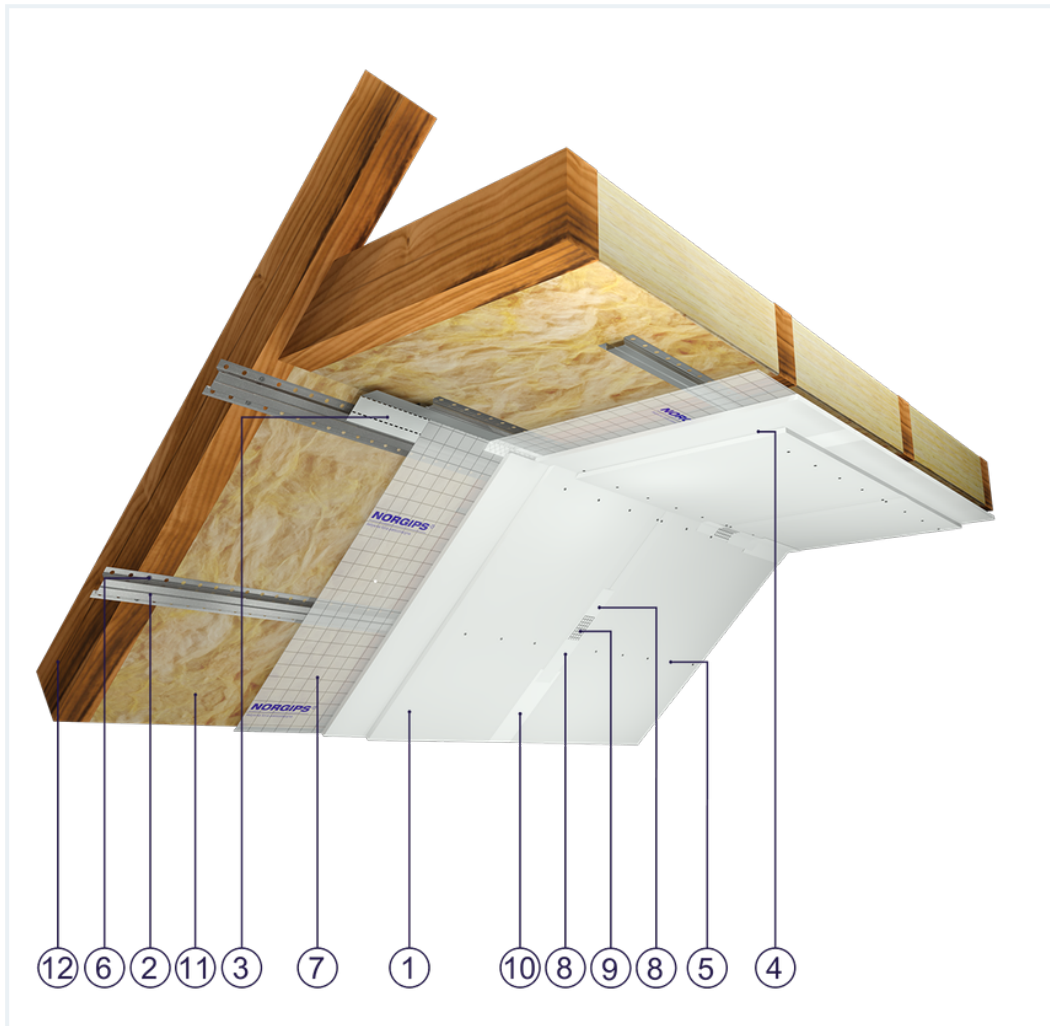


## SYSTEM DATASHEET

### Attic lining ZP - 2x12,5 GKB A/KAP 0,50, W

on top hat profile structure 0.5 mm with double sheathing with GKB type A boards , thickness: 12.5 mm



### Attic lining elements

1. Norgips S GKB type A plasterboards of 12.5 mm thickness 12.5 mm
2. Norgips top hat profiles, max. axial spacing every 40 cm
3. Norgips FLEX universal profile
4. Norgips 3.5 x 25 mm sheet metal screws, max. spacing every 40 cm
5. Norgips 3.5 x 35 mm sheet metal screws, max. spacing every 17 cm
6. Norgips 3.5 x 35 mm wood screws
7. Vapour barrier membrane
8. Norgips Start & Finish ready-made joint compound or Norgips Start gypsum joint compound
9. Norgips reinforcing tape
10. Ready-made joint compound Norgips Extra Finish, ready-made joint compound Norgips Start & Finish, gypsum joint compound Norgips Finish
11. Mineral wool
12. Roof rafters

## Technical data



Lining weight  
16 kg/m<sup>2</sup> <sup>1)</sup>

The above-mentioned parameters apply to a partition made of sheet metal profiles with a thickness of 0.5 mm.

**1)** The weight specified does not include the insulation material weight.

## Standard



SMART

Provides a lightweight stable body with proven performance. The solution guarantees quality at an attractive price.

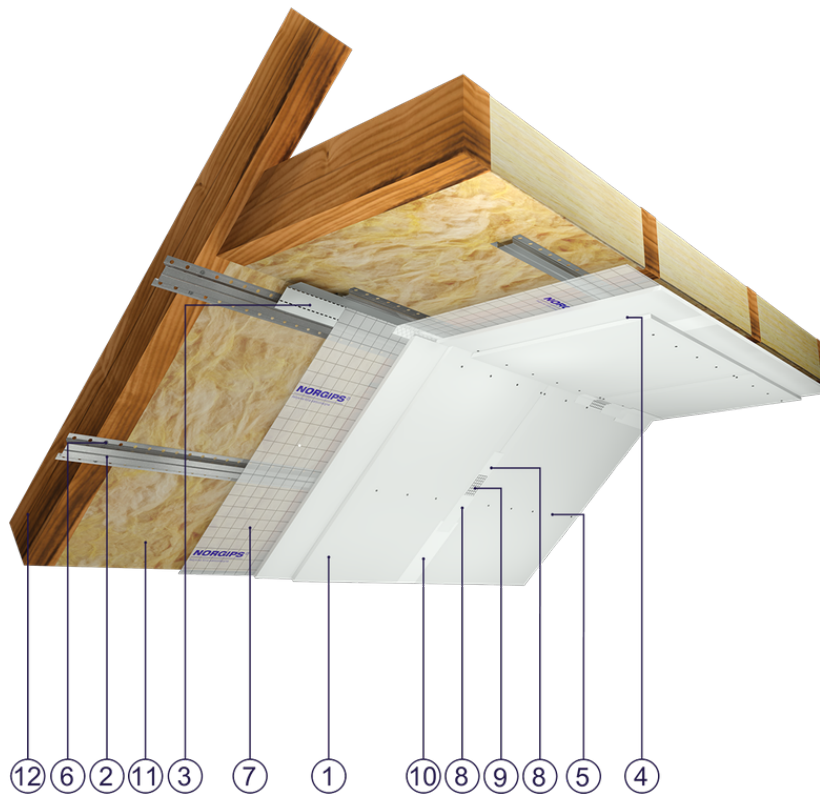


Fig. 1. Attic view

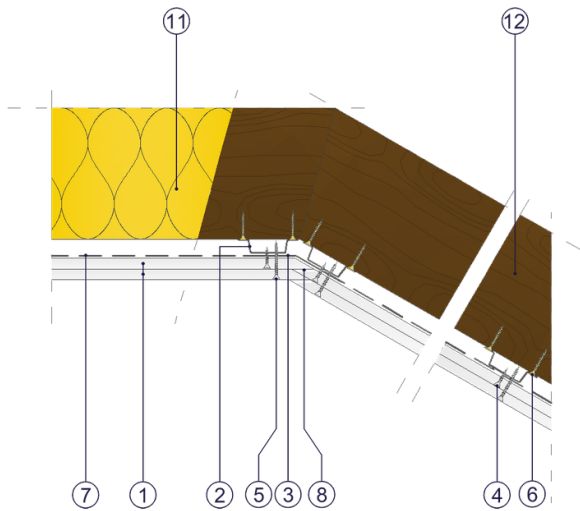


Fig. 2. Attic horizontal section

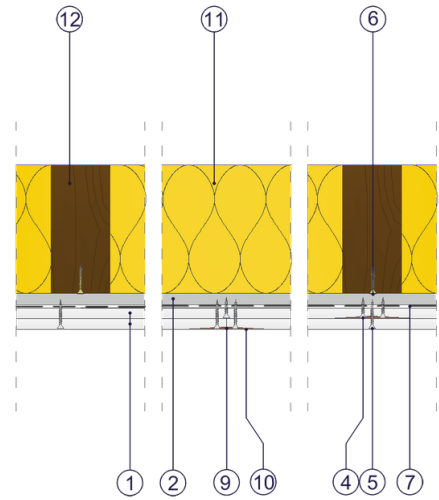


Fig. 3. Attic vertical section