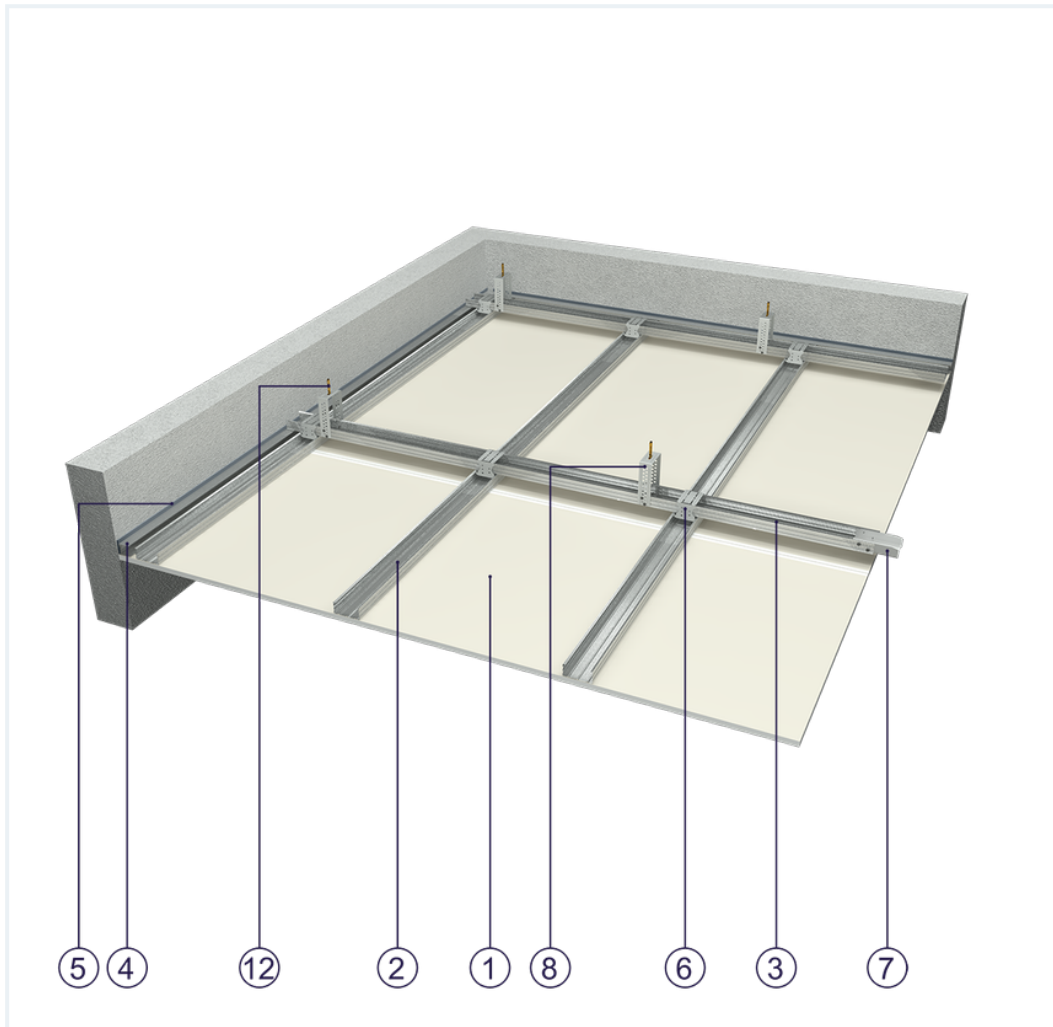


SYSTEM DATASHEET

Suspended ceiling SP - 1x12,5 GKB A/CD 60 0,50, ES

on a two-level grid with CD 60 profiles made of sheet metal with a thickness of 0.5 mm fixed on ES/ES Plus hangers, with single-sheathing with GKB type A boards , thickness: 12.5 mm



Suspended ceiling elements

1. Norgips S GKB type A plasterboards of 12.5 mm thickness 12.5 mm
2. Norgips CD 60 profiles for load-bearing layer, axial spacing every 50 cm
3. Norgips CD 60 profiles for upper layer, axial spacing every 100 cm
4. Profile Norgips UD 30
5. Optional Norgips sealing tape, width 30 mm
6. Norgips cross connectors
7. Norgips crosswise connectors
8. Norgips ES/ES Plus hangers, max. spacing every 85 cm
9. Norgips 3.5 x 25 mm sheet metal screws, max. spacing every 17 cm
10. Norgips 3.5 x 9.5 mm sheet metal screws with a self-tapping tip
11. Fastening pins, min. \varnothing 6 x 40 mm, max. spacing every 80 cm
12. Steel dowels, min. \varnothing 6 x 40 mm
13. Norgips Start & Finish ready-made joint compound or Norgips Start gypsum joint compound
14. Norgips reinforcing tape
15. Ready-made joint compound Norgips Extra Finish, ready-made joint compound Norgips Start & Finish, gypsum joint compound Norgips Finish

Technical data

	Lining weight 10 kg/m ² ¹⁾
--	---

The above-mentioned parameters apply to a partition made of sheet metal profiles with a thickness of 0.5 mm.

If a partition separates environments of various temperature levels, possible application of an insulating material must be preceded with an analysis of thermal and humidity conditions. Such an analysis may result, e.g. in the necessity to apply a vapour resistant foil.

1) The weight specified does not include the insulation material weight.

Standard

 SMART

Provides a lightweight stable body with proven performance. The solution guarantees quality at an attractive price.



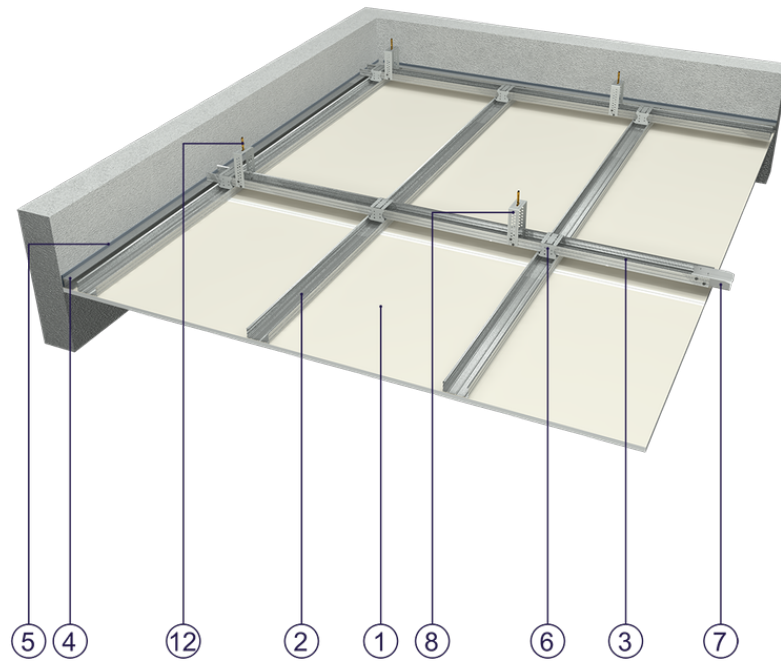


Fig. 1. Suspended ceiling view

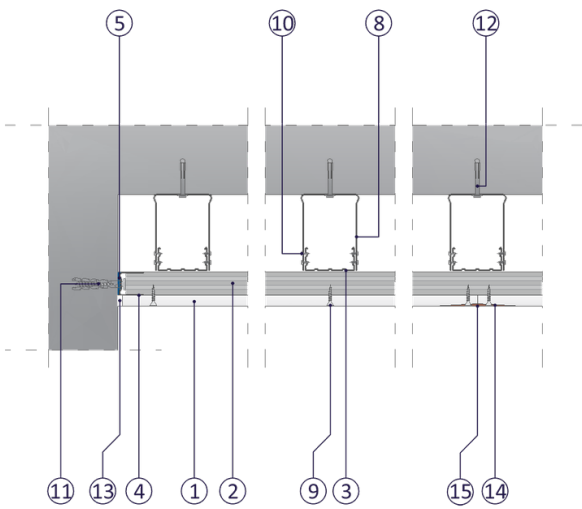


Fig. 2. Suspended ceiling horizontal section

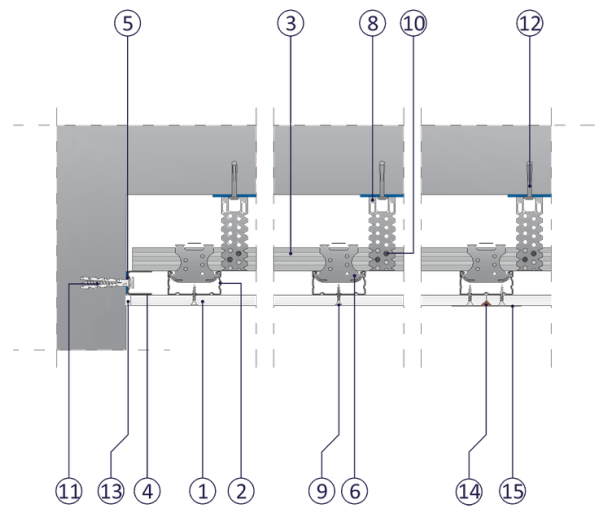


Fig. 3. Suspended ceiling vertical section