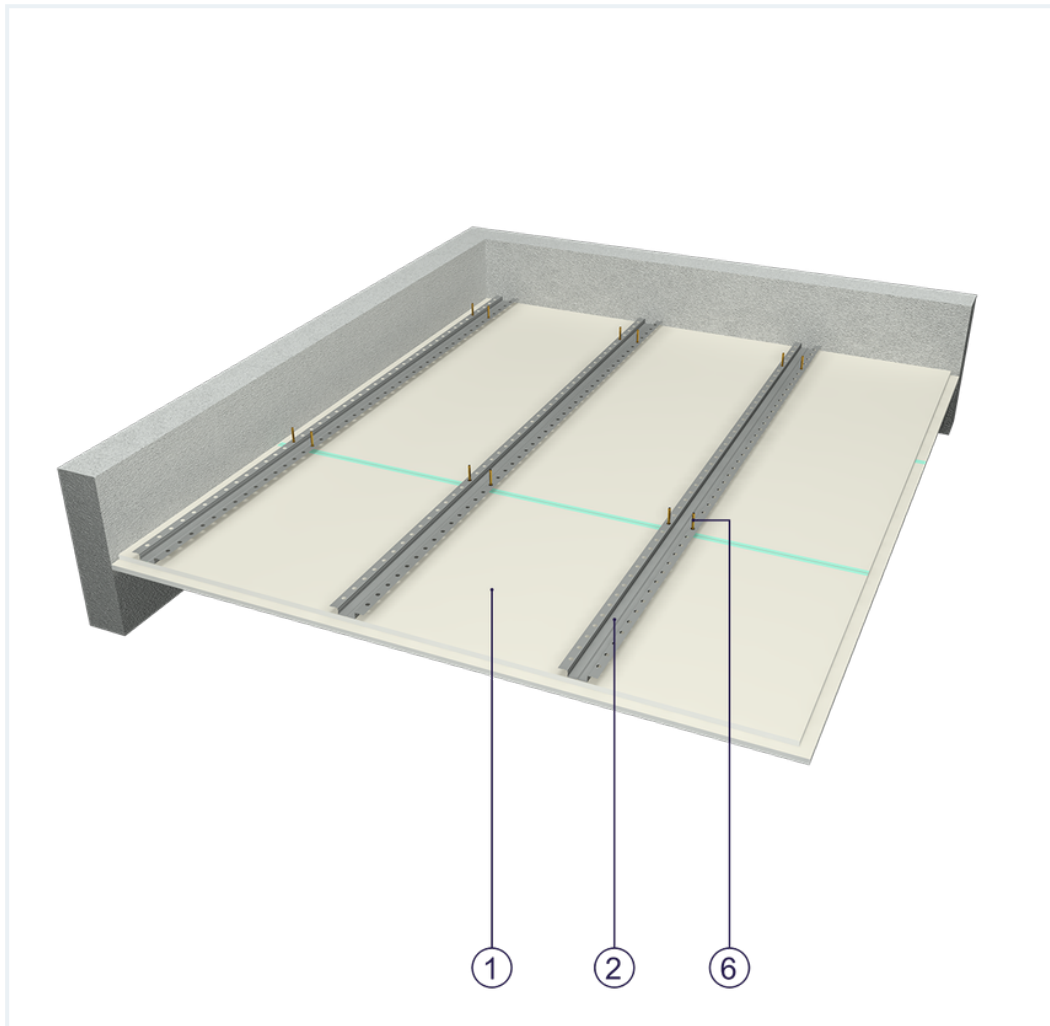


SYSTEM DATASHEET

Ceiling cladding OSF - 2x12,5 GKBI H2/KAP 0,50

on top hat profile structure 0.5 mm with double sheathing of GKBI type H2 boards with a thickness of 12.5 mm



Ceiling cladding elements

1. Norgips S GKBI type H2 gypsum plasterboard , thickness: 12.5 mm
2. Norgips top hat profiles, max. axial spacing every 50 cm
3. Optional Norgips sealing tape, width 30 mm
4. Norgips 3.5 x 25 mm sheet metal screws, max. spacing every 40 cm
5. Norgips 3.5 x 35 mm sheet metal screws, max. spacing every 17 cm
6. Steel dowels, min. \varnothing 6 x 40 mm in two rows every 100 cm
7. Norgips Start & Finish ready-made joint compound or Norgips Start gypsum joint compound
8. Norgips reinforcing tape
9. Ready-made joint compound Norgips Extra Finish, ready-made joint compound Norgips Start & Finish, gypsum joint compound Norgips Finish

Technical data



Wall mass
17 kg/m²



Cladding mass
19 kg/m²

The above-mentioned parameters apply to a partition made of sheet metal profiles with a thickness of 0.5 mm.

Standard



SMART

Provides a lightweight stable body with proven performance. The solution guarantees quality at an attractive price.

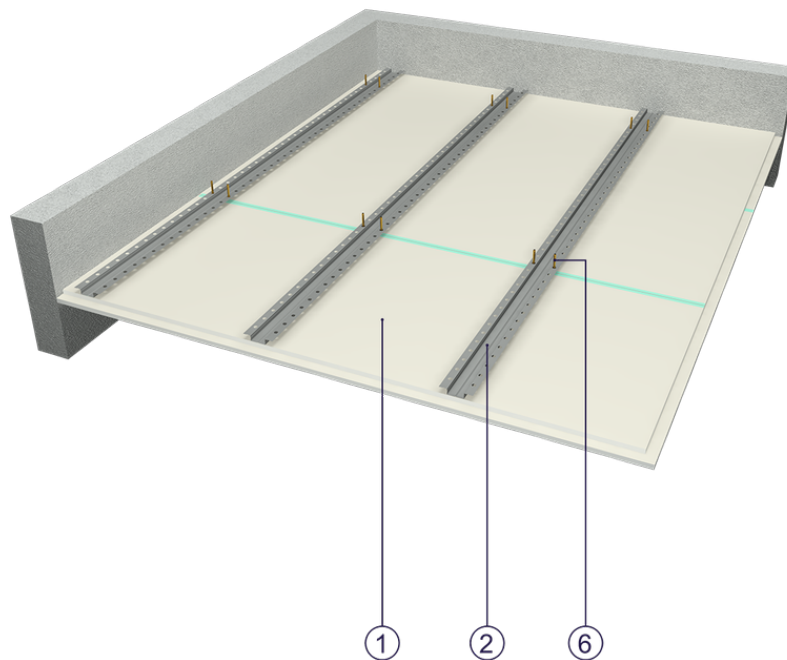


Fig. 1. Ceiling cladding view

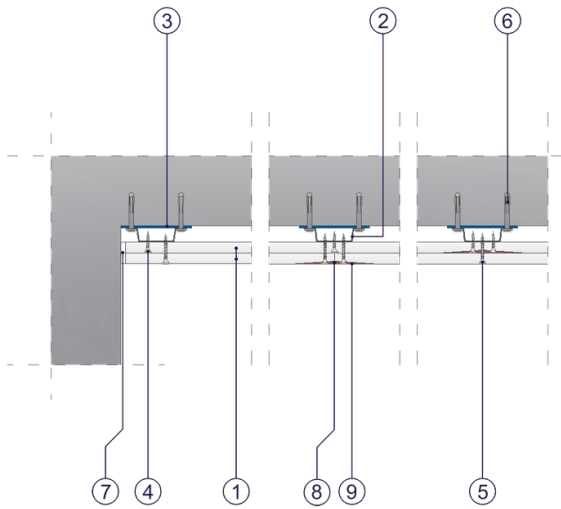


Fig. 2. Ceiling cladding horizontal section

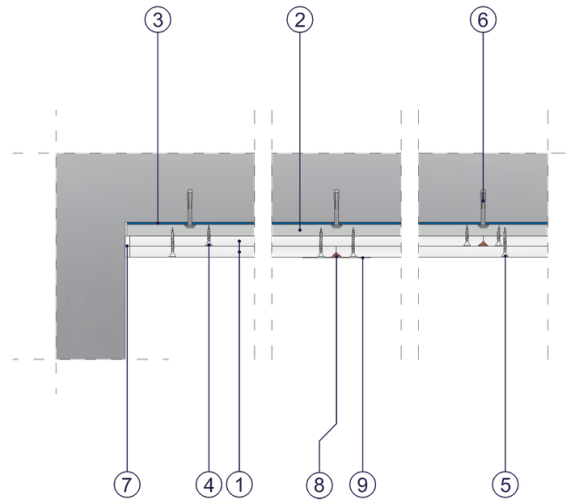


Fig. 3. Ceiling cladding vertical section