

SYSTEM DATASHEET

Ceiling cladding OSF - 1x9,5 GKB A/KAP 0,50

on top hat profile structure 0.5 mm with single-sheathing with GKB type A boards , thickness: 9.5 mm



Ceiling cladding elements

1. Norgips S GKB type A plasterboards of 12.5 mm thickness 9.5 mm
2. Norgips top hat profiles, max. axial spacing every 50 cm
3. Optional Norgips sealing tape, width 30 mm
4. Norgips 3.5 x 25 mm sheet metal screws, max. spacing every 17 cm
5. Steel dowels, min. \varnothing 6 x 40 mm in two rows every 100 cm
6. Norgips Start & Finish ready-made joint compound or Norgips Start gypsum joint compound
7. Norgips reinforcing tape
8. Ready-made joint compound Norgips Extra Finish, ready-made joint compound Norgips Start & Finish, gypsum joint compound Norgips Finish

Technical data



Wall mass
7 kg/m²



Cladding mass
9 kg/m²

The above-mentioned parameters apply to a partition made of sheet metal profiles with a thickness of 0.5 mm.

Standard



SMART

Provides a lightweight stable body with proven performance. The solution guarantees quality at an attractive price.

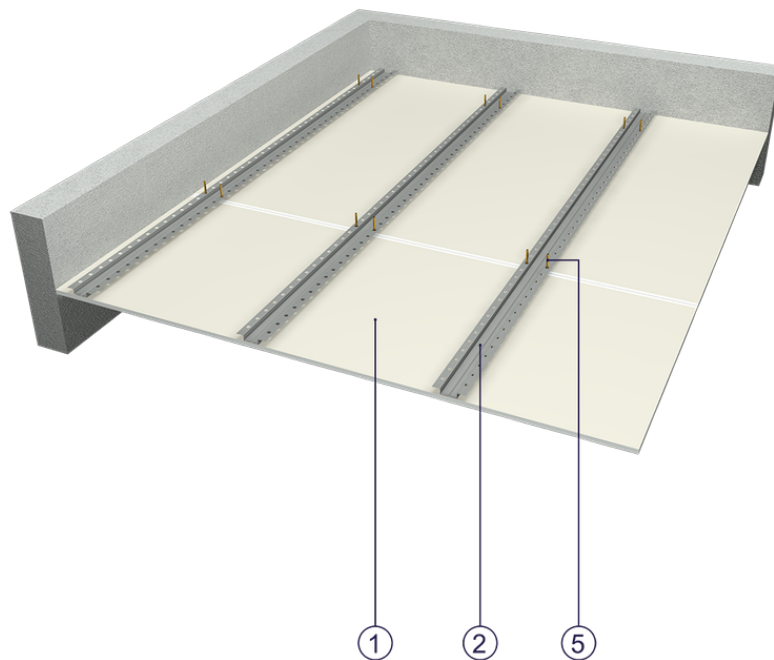


Fig. 1. Ceiling cladding view

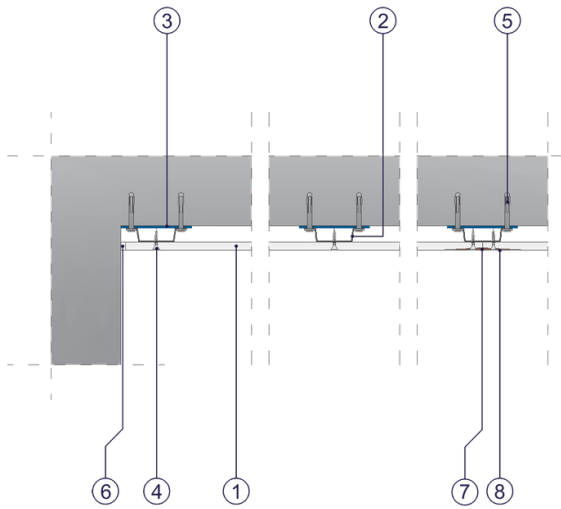


Fig. 2. Ceiling cladding horizontal section

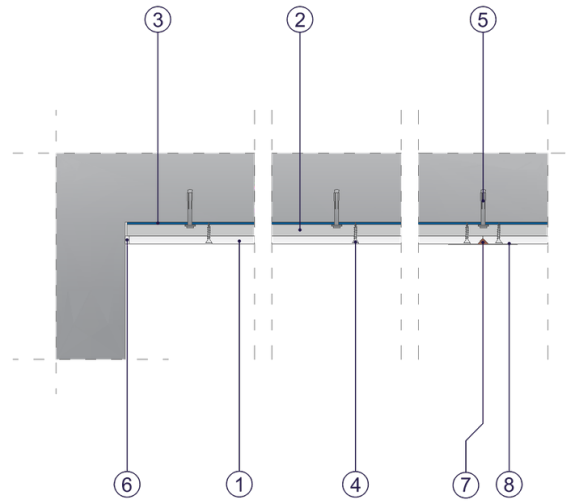


Fig. 3. Ceiling cladding vertical section