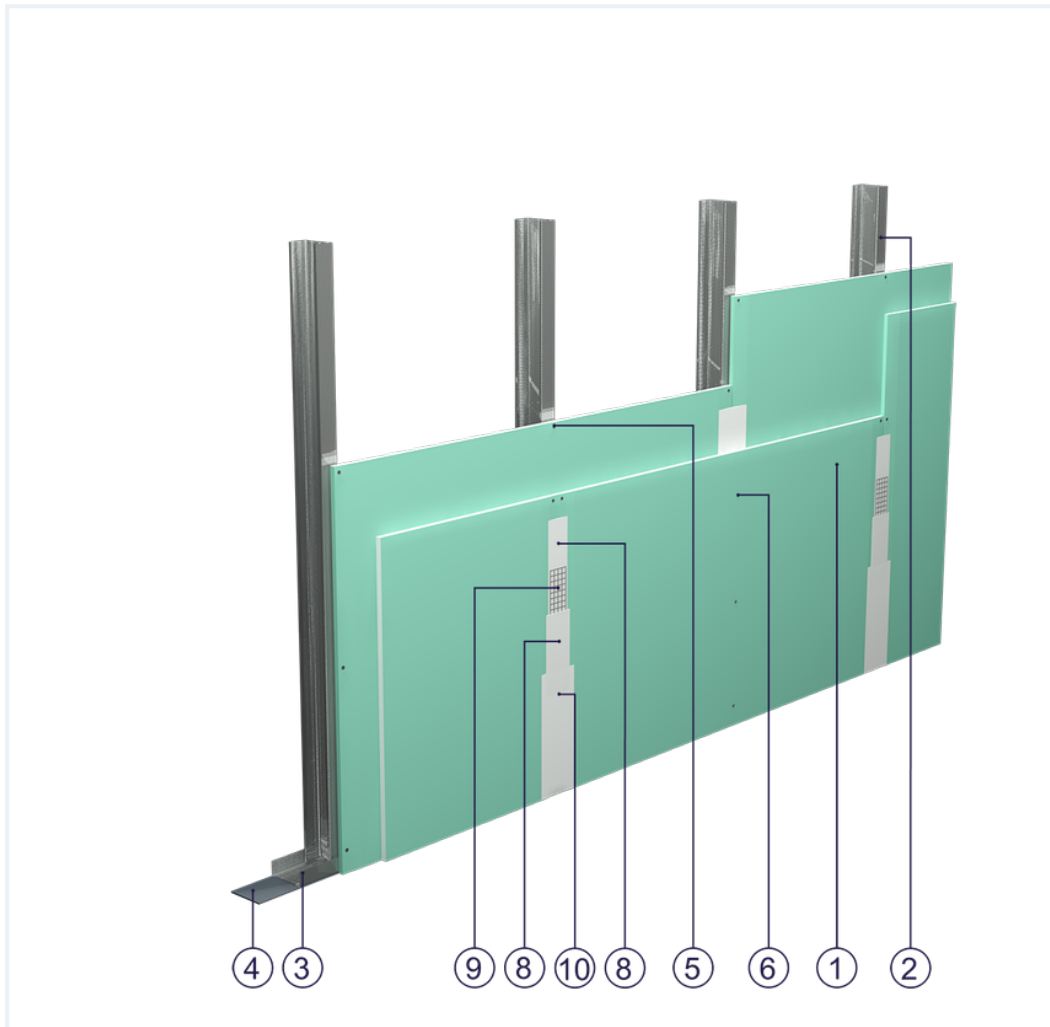


SYSTEM DATASHEET

Covering wall SO - 2x12,5 GKBI H2/CW 75/0,50 (W)

on a CW 75 and UW 75 profile structure made from sheet metal with a thickness of 0.5 mm with double sheathing of GKBI type H2 boards with a thickness of 12.5 mm, with optional mineral wool filling



Covering wall elements

1. Norgips S GKBI type H2 gypsum plasterboard , thickness: 12.5 mm
2. Norgips CW 75 profiles (uprights) with 0.5 mm sheet thickness at max. 60 cm centre spacing
3. Norgips UW 75 profiles with 0.5 mm sheet thickness fixed to horizontal supporting elements
4. Norgips sealing tape, width 75 mm
5. Norgips 3.5 x 25 mm sheet metal screws, max. spacing every 75 cm
6. Norgips 3.5 x 35 mm sheet metal screws, max. spacing every 25 cm
7. Fastening pins, min. \varnothing 6 x 40 mm, max. spacing every 80 cm
8. Norgips Start & Finish ready-made joint compound or Norgips Start gypsum joint compound
9. Norgips reinforcing tape
10. Ready-made joint compound Norgips Extra Finish, ready-made joint compound Norgips Start & Finish, gypsum joint compound Norgips Finish
11. Optional mineral wool

Technical data



Max height
4.0 m ¹⁾



Wall mass
17 kg/m² ²⁾



Acoustic insulation
 $R_W=37$ dB ⁴⁾ $R_{A1}=36$ dB ⁴⁾ $\Delta R_W=\text{up to } 12$ dB ³⁾

The above-mentioned parameters apply to a partition made of sheet metal profiles with a thickness of 0.5 mm.

- 1)** The stated heights apply to constructions with a profile spacing of 600 mm. When a structure with profiles spaced every 300 or 400 mm is used, the permissible wall height increases. Contact system provider representatives for details. The stated heights apply to rooms where only a few persons are present simultaneously (e.g. rooms in flats, hotels, hospitals). In rooms where a large number of persons are present simultaneously (e.g. conference rooms, classrooms, lecture halls), the permissible height is 3.4 m.
- 2)** The weight specified does not include the insulation material weight.
- 3)** Estimated increase in acoustic insulation effectiveness on the basis of the DIN 4109 standard
- 4)** Based on report no. LZF00-02038/16/Z00NZF for 75 mm glass wool

Standard



SMART

Provides a lightweight stable body with proven performance. The solution guarantees quality at an attractive price.



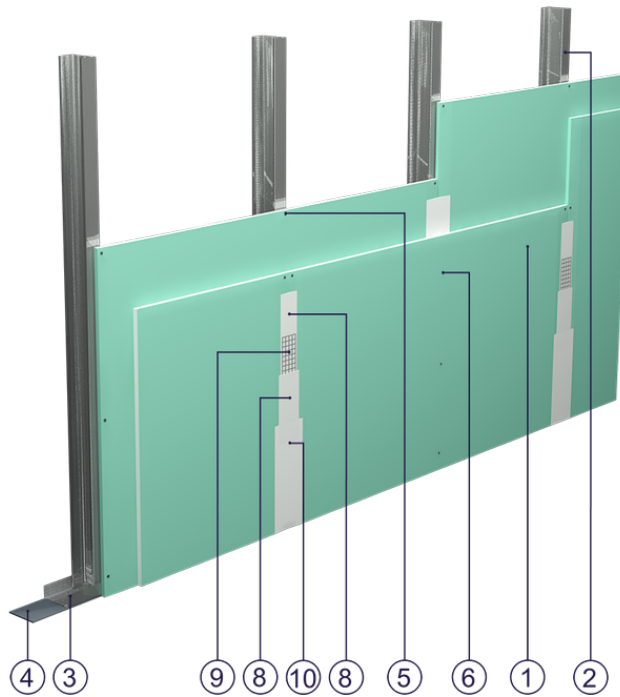


Fig. 1. Curtain wall view

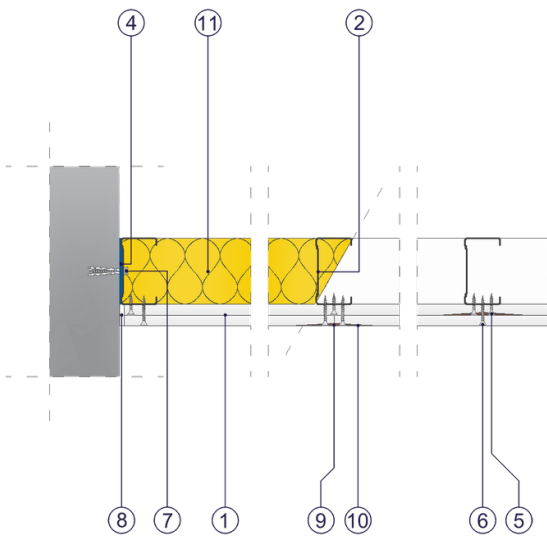


Fig. 2. Curtain wall horizontal section

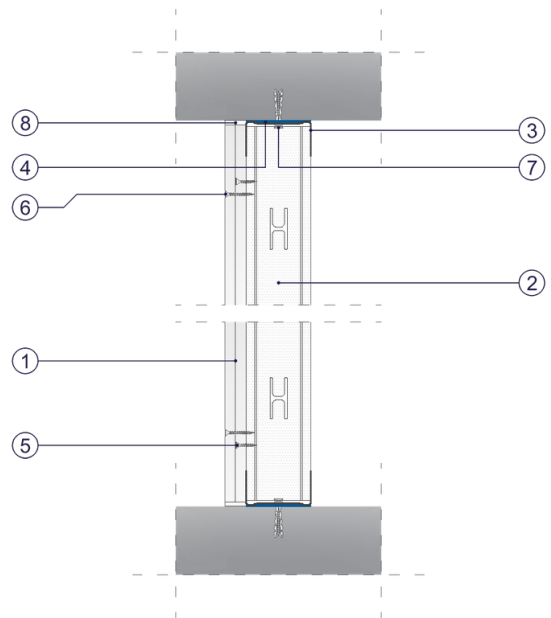


Fig. 3. Curtain wall vertical section