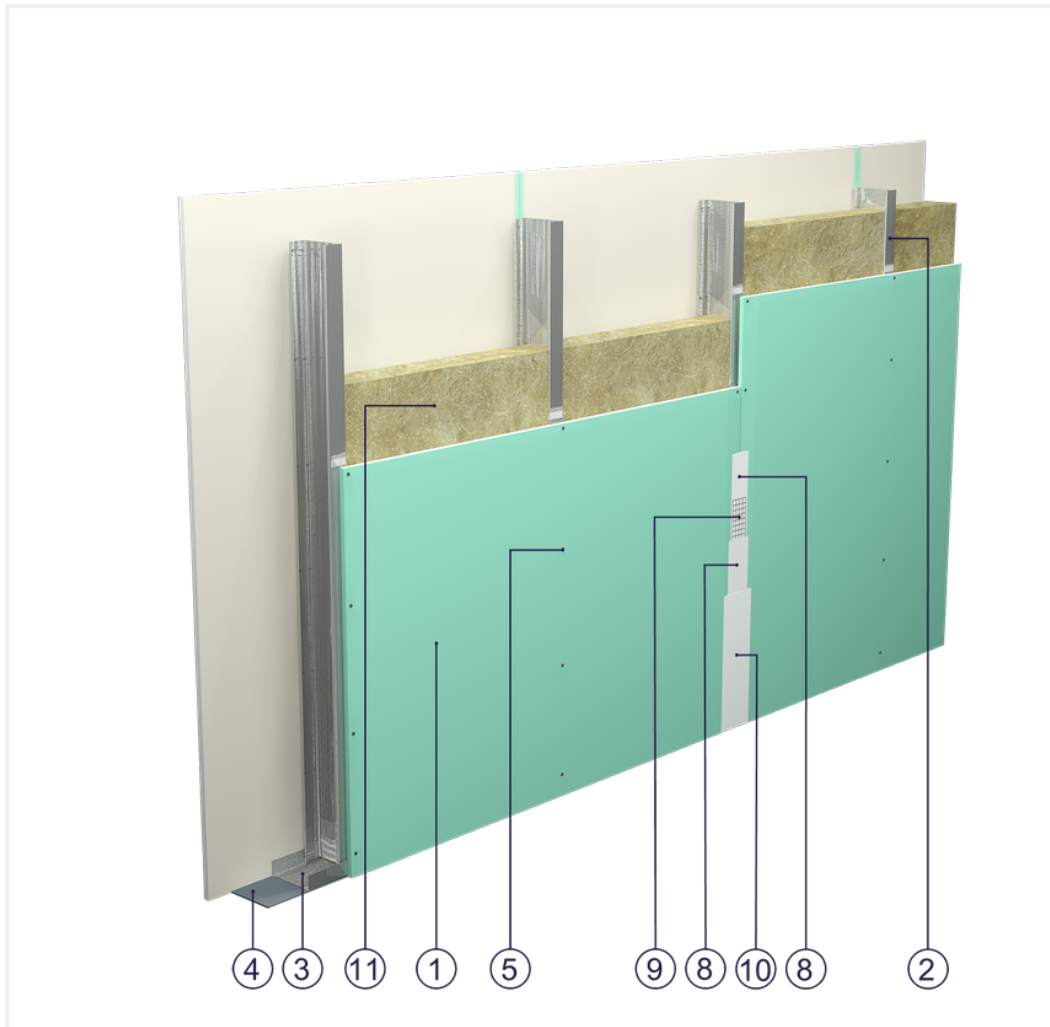


## SYSTEM DATASHEET

### Partition wall SD - 1x12,5 GKBI H2/CW 100/0,50 W




on a structure of CW 100 and UW 100 profiles made from sheet metal with a thickness of 0.5 mm with single sheathing of GKBI type H2 with a thickness of 12.5 mm with mineral wool filling



### Partition wall components

1. Norgips S GKBI type H2 gypsum plasterboard , thickness: 12.5 mm
2. Norgips CW 100 profiles (uprights) with 0.5 mm sheet thickness at max. 60 cm centre spacing
3. Norgips UW 100 profiles with 0.5 mm sheet thickness fixed to horizontal supporting elements
4. Norgips sealing tape, width 100 mm
5. Norgips 3.5 x 25 mm sheet metal screws, max. spacing every 25 cm
6. Fastening pins, min. Ø 6 x 40 mm, max. spacing every 80 cm
7. Openings in studs for installation wires
8. Norgips Start & Finish ready-made joint compound or Norgips Start gypsum joint compound
9. Norgips reinforcing tape
10. Ready-made joint compound Norgips Extra Finish, ready-made joint compound Norgips Start & Finish, gypsum joint compound Norgips Finish
11. Mineral wool

## Technical data

	Max height 3.5 m <sup>1)</sup>		Wall mass 17 kg/m <sup>2</sup> <sup>3)</sup>
	Acoustic insulation $R_W=44$ dB <sup>4)</sup> $R_{A1}=42$ dB <sup>4)</sup>		

The above-mentioned parameters apply to a partition made of sheet metal profiles with a thickness of 0.5 mm.

- 1) The stated heights apply to constructions with a profile spacing of 600 mm. When a structure with profiles spaced every 300 or 400 mm is used, the permissible wall height increases. Contact system provider representatives for details. The stated heights apply to rooms where only a few persons are present simultaneously (e.g. rooms in flats, hotels, hospitals). In rooms where a large number of persons are present simultaneously (e.g. conference rooms, classrooms, lecture halls), the permissible height is 4.9 m.
- 3) The weight specified does not include the insulation material weight.
- 4) Based on report no. A230202 for 100 mm glass wool

## Standard

 SMART

Provides a lightweight stable body with proven performance. The solution guarantees quality at an attractive price.

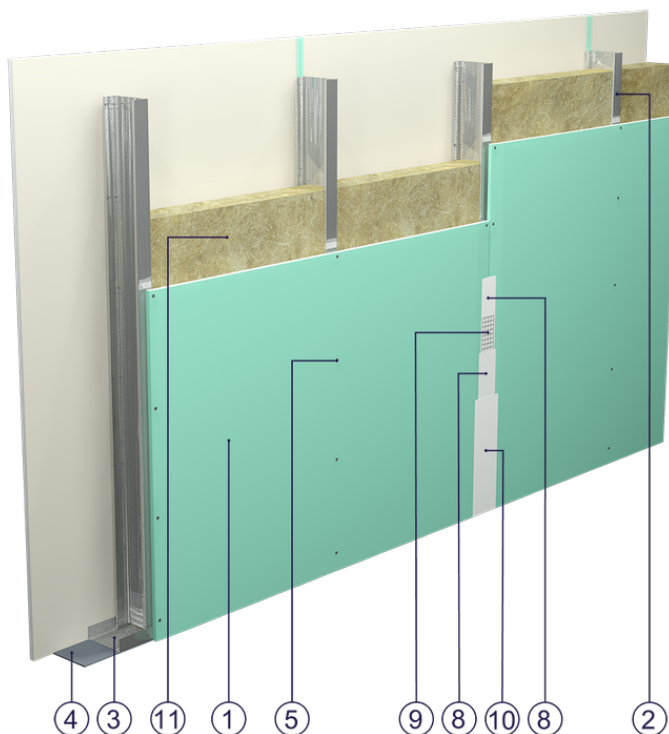


Fig. 1. Partition wall view

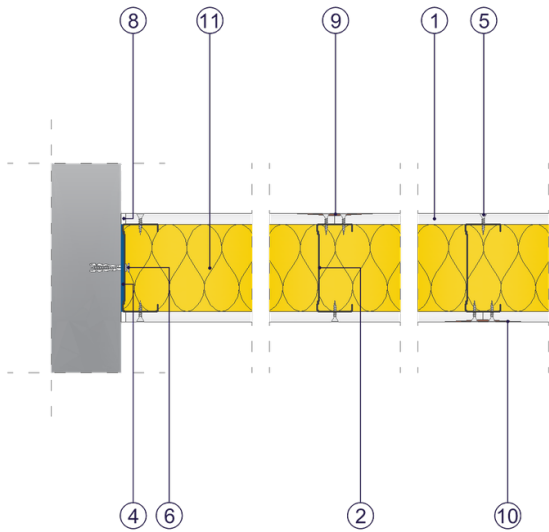


Fig. 2. Partition wall horizontal section

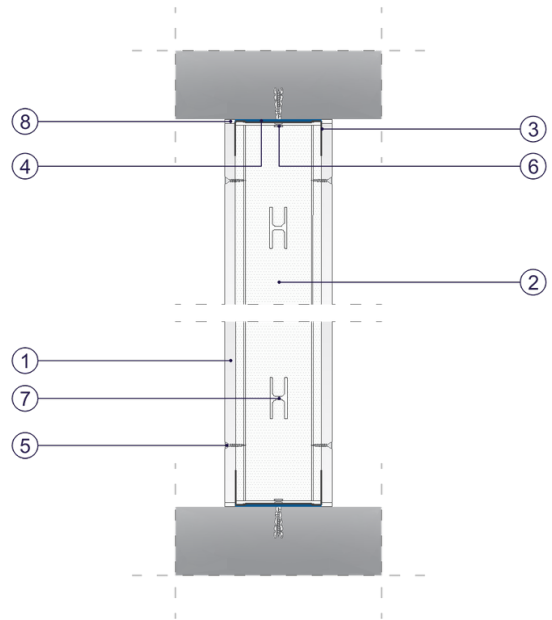


Fig. 3. Partition wall vertical section