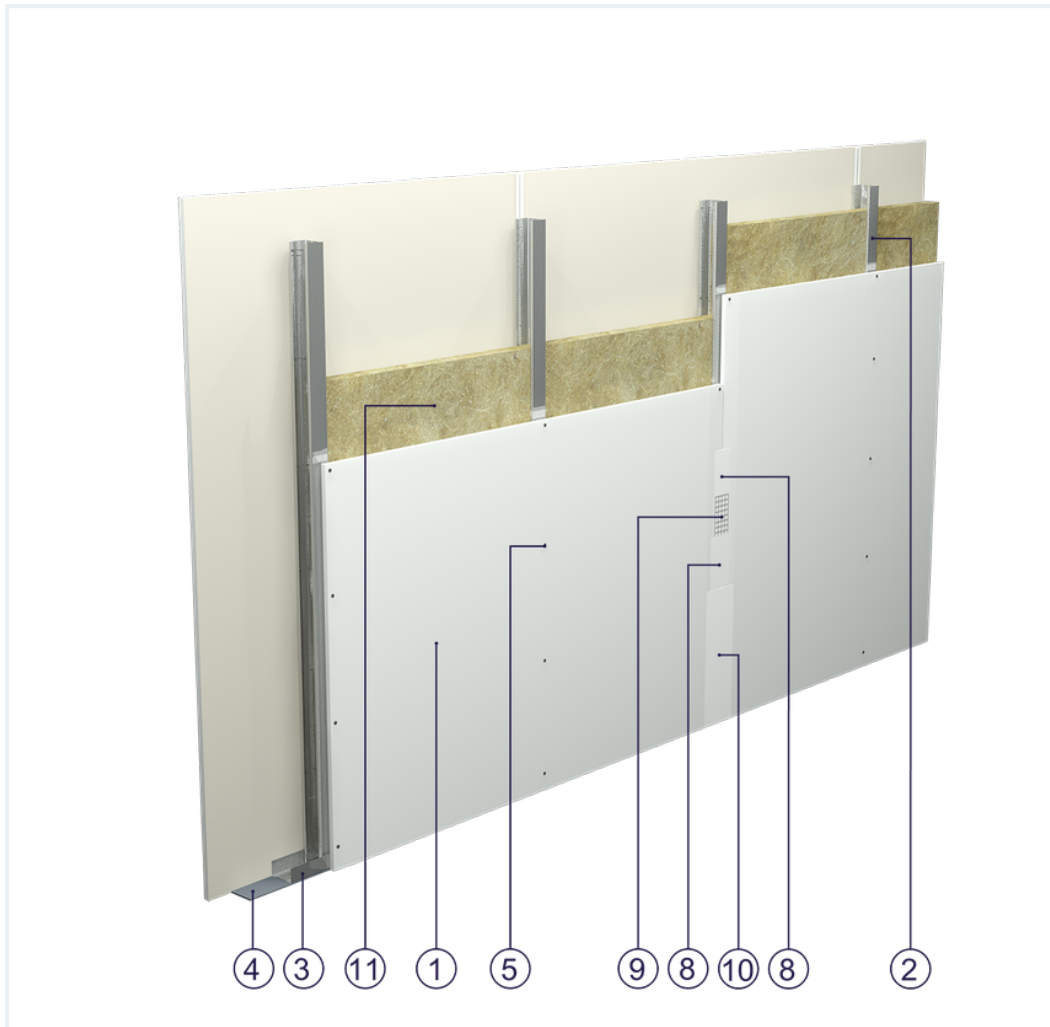


## SYSTEM DATASHEET

### Partition wall SD - 1x12,5 GKB A/CW 50/0,50 W




on a structure made of CW 50 and UW 50 profiles made of sheet metal with a thickness of 0.5 mm with single-sheathing with GKB type A boards, thickness: 12.5 mm with mineral wool filling



### Partition wall components

1. Norgips S GKB type A plasterboards of 12.5 mm thickness 12.5 mm
2. Norgips CW 50 profiles (uprights) with 0.5 mm sheet thickness at max. 60 cm centre spacing
3. Norgips UW 50 profiles with 0.5 mm sheet thickness fixed to horizontal supporting elements
4. Norgips sealing tape, width 50 mm
5. Norgips 3.5 x 25 mm sheet metal screws, max. spacing every 25 cm
6. Fastening pins, min. Ø 6 x 40 mm, max. spacing every 80 cm
7. Openings in studs for installation wires
8. Norgips Start & Finish ready-made joint compound or Norgips Start gypsum joint compound
9. Norgips reinforcing tape
10. Ready-made joint compound Norgips Extra Finish, ready-made joint compound Norgips Start & Finish, gypsum joint compound Norgips Finish
11. Mineral wool

## Technical data

	Max height 2.5 m <sup>1)</sup>		Wall mass 15 kg/m <sup>2</sup> <sup>3)</sup>
	Acoustic insulation $R_W=41$ dB <sup>4)</sup> $R_{A1}=38$ dB <sup>4)</sup>		

The above-mentioned parameters apply to a partition made of sheet metal profiles with a thickness of 0.5 mm.

- 1) The stated heights apply to constructions with a profile spacing of 600 mm. When a structure with profiles spaced every 300 or 400 mm is used, the permissible wall height increases. Contact system provider representatives for details. The stated heights apply to rooms where only a few persons are present simultaneously (e.g. rooms in flats, hotels, hospitals). In rooms where a large number of persons are present simultaneously (e.g. conference rooms, classrooms, lecture halls), the permissible height is 2.8 m.
- 3) The weight specified does not include the insulation material weight.
- 4) Based on report no. LZF00-02038/16/Z00NZF for 50 mm glass wool

## Standard

 SMART

Provides a lightweight stable body with proven performance. The solution guarantees quality at an attractive price.

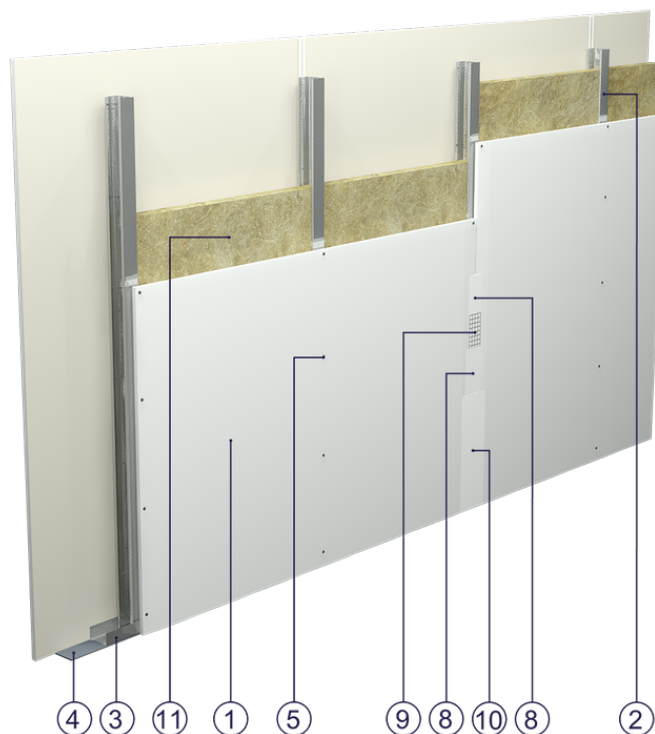


Fig. 1. Partition wall view

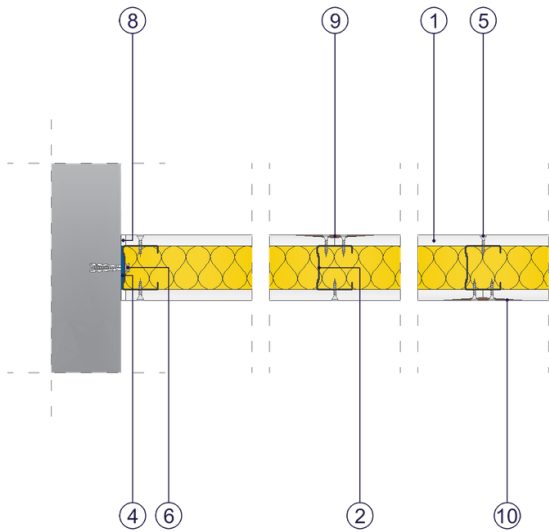


Fig. 2. Partition wall horizontal section

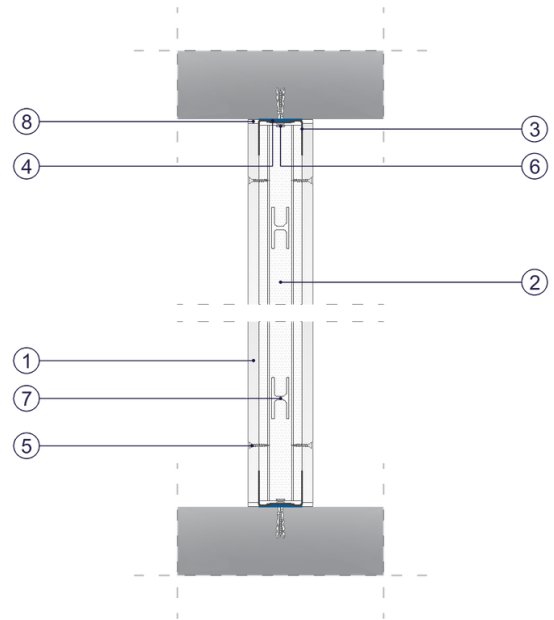


Fig. 3. Partition wall vertical section