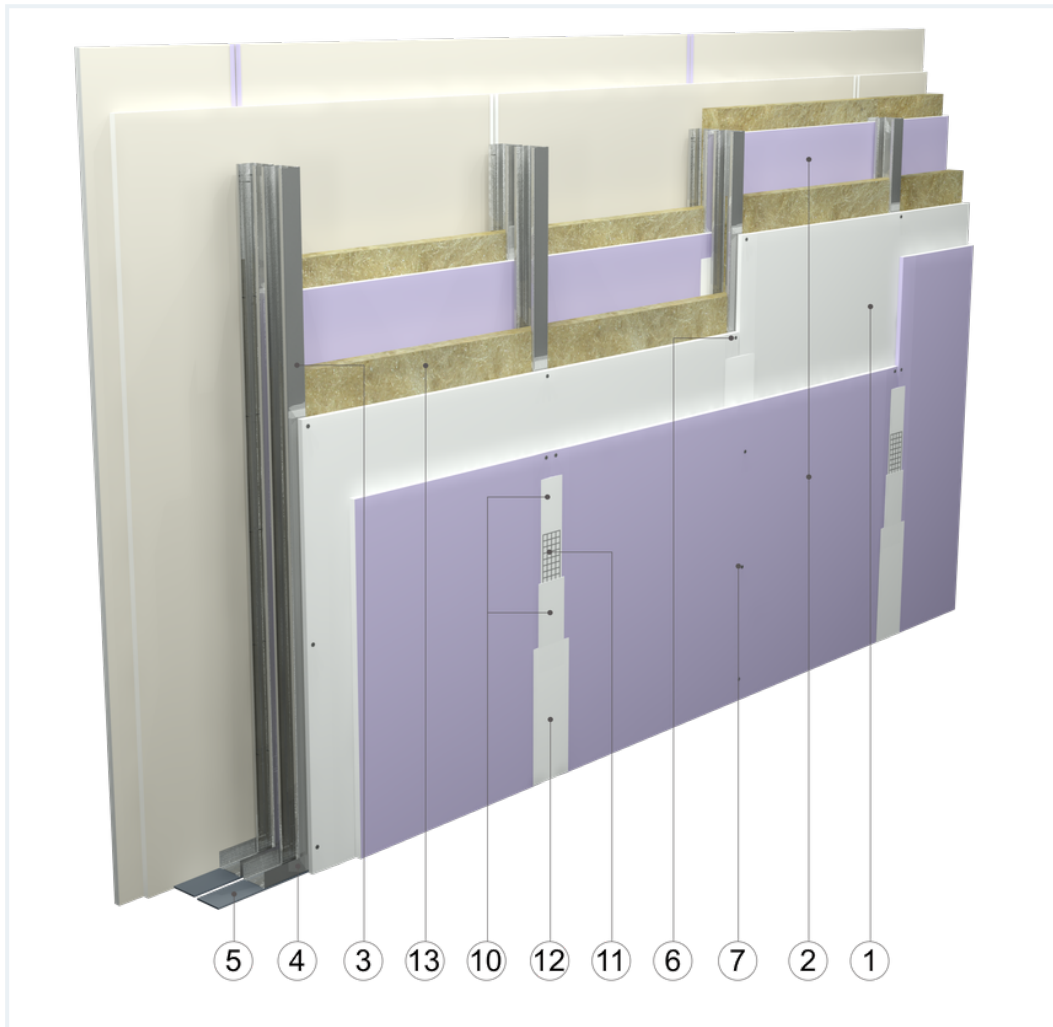


SYSTEM DATASHEET

Partition wall SDM - 2x12,5 GKB A + DFH2IRE/1x12,5 DFH2IRE/2xCW 50 2xW





on a double structure made of CW50 and UW50 profiles, hybrid with double sheathing with GKB type A boards, thickness: 12.5 mm and sheathed three times with type DFH2IR boards, thickness: 12.5 mm with mineral wool filling



Partition wall components

1. Norgips S GKB type A plasterboards of 12.5 mm thickness 12.5 mm
2. Norgips S plasterboard type DFH2IR , thickness: 12.5 mm
3. Norgips CW 50 profiles, max. axial spacing every 60 cm
4. Norgips UW 50 profiles mounted on horizontal load-bearing elements
5. Norgips sealing tape, width 50 mm
6. Norgips 3.5 x 25 mm sheet metal screws, max. spacing every 75 cm
7. Norgips 3.5 x 35 mm sheet metal screws, max. spacing every 25 cm
8. Fastening pins, min. \varnothing 6 x 40 mm, max. spacing every 80 cm
9. Openings in studs for installation wires
10. Norgips Start & Finish ready-made joint compound or Norgips Start gypsum joint compound
11. Norgips reinforcing tape
12. Ready-made joint compound Norgips Extra Finish, ready-made joint compound Norgips Start & Finish, gypsum joint compound Norgips Finish
13. Mineral wool

Technical data

	Fire resistance class EI 60 ($h_{\max}=4.0$ m) ^{1) 2)}		Max height 4.4 m ¹⁾
	Wall mass 53 kg/m ² ³⁾		Acoustic insulation $R_W=65$ dB ⁴⁾ $R_{A1}=57$ dB ⁴⁾

The above-mentioned parameters apply to a partition made of sheet metal profiles with a thickness of 0.55 mm and 0.6 mm or 0.55 mm

- 1) The stated heights apply to constructions with a profile spacing of 600 mm. When a structure with profiles spaced every 300 or 400 mm is used, the permissible wall height increases. Contact system provider representatives for details. The stated heights apply to rooms where only a few persons are present simultaneously (e.g. rooms in flats, hotels, hospitals). In rooms where a large number of persons are present simultaneously (e.g. conference rooms, classrooms, lecture halls), the permissible height is 3.7 m.
- 2) Based on classification no. LBO-127-KZ/24 for 50 mm rock wool
- 3) The weight specified does not include the insulation material weight.
- 4) Based on report no. A 211002 for 2x50 mm glass wool

Standard

★★ RECOMMENDED

It provides higher building stability, fire resistance and sound insulation. The optimal solution.





Fig. 1. Partition wall view

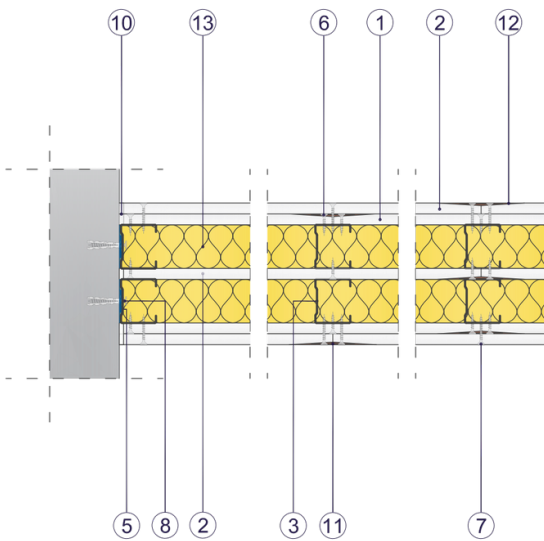


Fig. 2. Partition wall horizontal section

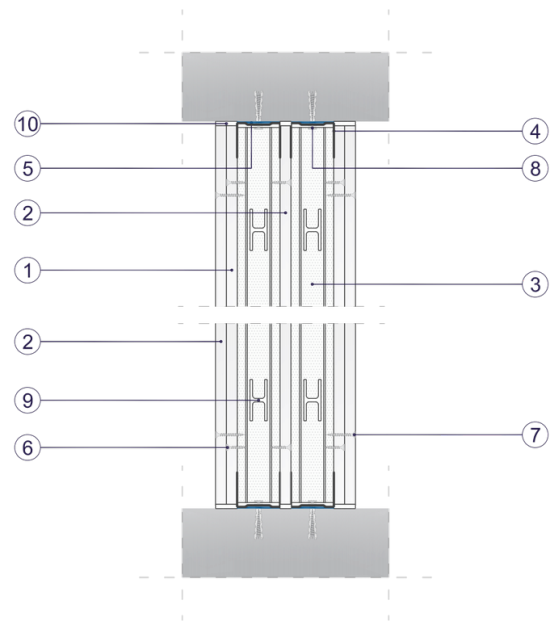


Fig. 3. Partition wall vertical section