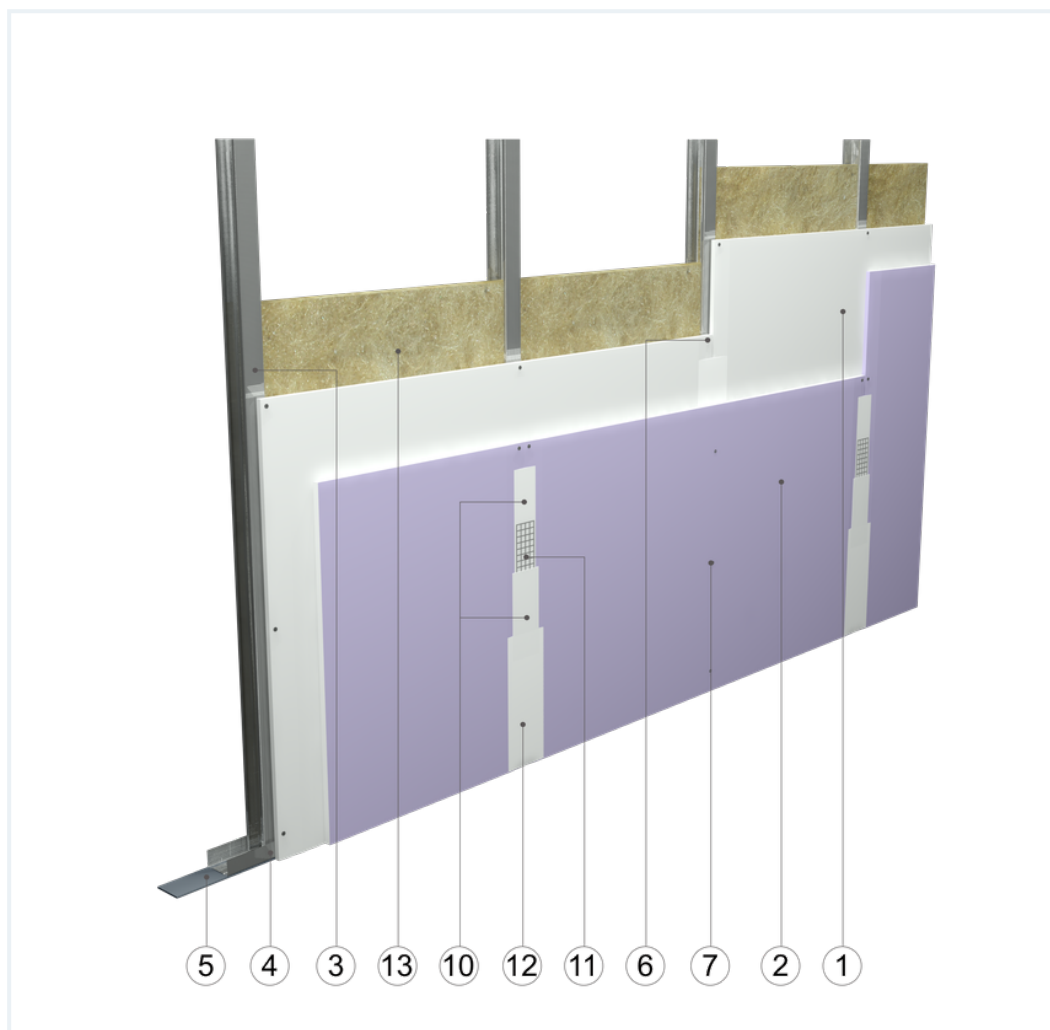


SYSTEM DATASHEET

Covering wall SO - 2x12,5 GKB A + DFH2IRE/CW 50 (W)

on a structure made of CW 50 and UW 50 profiles, hybrid with double sheathing with GKB type A boards, thickness: 12.5 mm and type DFH2IR boards, thickness: 12.5 mm, with optional mineral wool filling



Covering wall elements

1. Norgips S GKB type A plasterboards of 12.5 mm thickness 12.5 mm
2. Norgips S plasterboard type DFH2IR , thickness: 12.5 mm
3. Norgips CW 50 profiles, max. axial spacing every 60 cm
4. Norgips UW 50 profiles mounted on horizontal load-bearing elements
5. Norgips sealing tape, width 50 mm
6. Norgips 3.5 x 25 mm sheet metal screws, max. spacing every 75 cm
7. Norgips 3.5 x 35 mm sheet metal screws, max. spacing every 25 cm
8. Fastening pins, min. \varnothing 6 x 40 mm, max. spacing every 80 cm
9. Norgips Start & Finish ready-made joint compound or Norgips Start gypsum joint compound
10. Norgips reinforcing tape
11. Ready-made joint compound Norgips Extra Finish, ready-made joint compound Norgips Start & Finish, gypsum joint compound Norgips Finish
12. Optional mineral wool


Technical data



Max height
3.0 m ¹⁾



Wall mass
21 kg/m² ²⁾



Acoustic insulation
 $R_W=40$ dB ⁴⁾ $R_{A1}=39$ dB ⁴⁾ $\Delta R_W=12$ dB ³⁾

The above-mentioned parameters apply to a partition made of sheet metal profiles with a thickness of 0.55 mm and 0.6 mm or 0.55 mm

- 1) The stated heights apply to constructions with a profile spacing of 600 mm. When a structure with profiles spaced every 300 or 400 mm is used, the permissible wall height increases. Contact system provider representatives for details. The stated heights apply to rooms where only a few persons are present simultaneously (e.g. rooms in flats, hotels, hospitals). In rooms where a large number of persons are present simultaneously (e.g. conference rooms, classrooms, lecture halls), the permissible height is 2.5 m.
- 2) The weight specified does not include the insulation material weight.
- 3) Estimated increase in acoustic insulation effectiveness on the basis of the DIN 4109 standard
- 4) Based on Report No. A 210502 for 50 mm glass wool

Standard

★★ RECOMMENDED

It provides higher building stability, fire resistance and sound insulation. The optimal solution.





Fig. 1. Curtain wall view

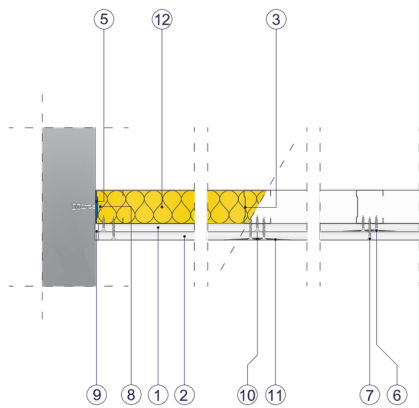


Fig. 2. Curtain wall horizontal section

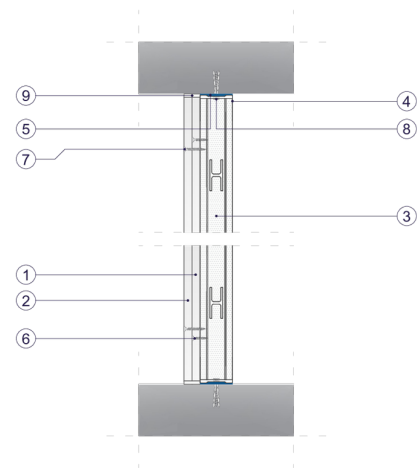


Fig. 3. Curtain wall vertical section