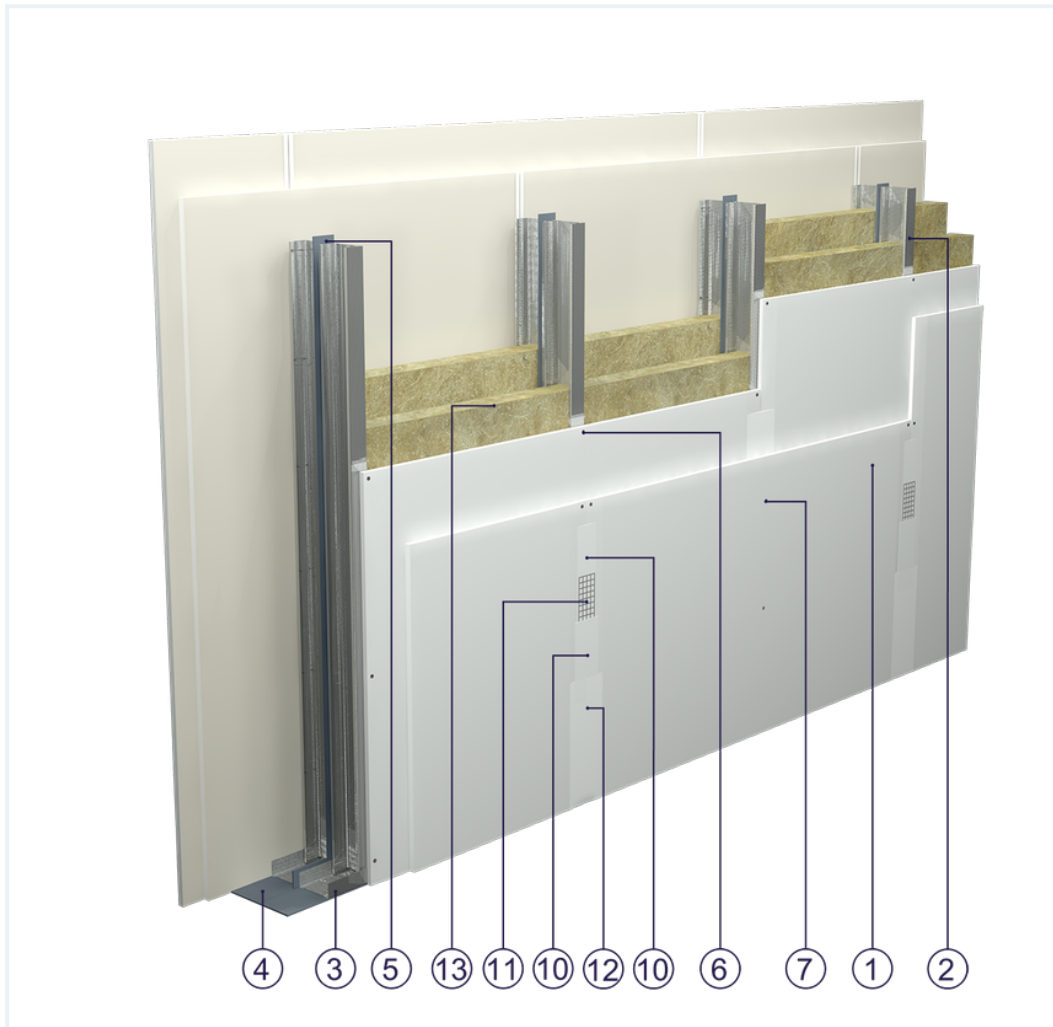


SYSTEM DATASHEET

Partition wall SD - 2x12,5 GKB A + ACO A/2xCW 75 2xW





on a double structure made of CW 75 and UW 75 profiles, hybrid with double sheathing with GKB type A boards, thickness 12.5 mm and Acoustic Type A with a thickness of 12.5 mm with mineral wool filling



Partition wall components

1. Norgips S GKB type A plasterboards of 12.5 mm thickness 12.5 mm
2. Norgips S GKB type A plasterboards of 12.5 mm thickness 12.5 mm
3. Norgips CW 75 profiles, max. axial spacing every 60 cm
4. Norgips UW 75 profiles mounted on horizontal load-bearing elements
5. Norgips sealing tape, width 75 mm
6. Norgips sealing tape, width 50 mm
7. Norgips 3.5 x 25 mm sheet metal screws, max. spacing every 75 cm
8. Norgips 3.5 x 35 mm sheet metal screws, max. spacing every 25 cm
9. Fastening pins, min. \varnothing 6 x 40 mm, max. spacing every 80 cm
10. Openings in studs for installation wires
11. Norgips Start & Finish ready-made joint compound or Norgips Start gypsum joint compound
12. Norgips reinforcing tape
13. Ready-made joint compound Norgips Extra Finish, ready-made joint compound Norgips Start & Finish, gypsum joint compound Norgips Finish
14. Mineral wool

Technical data

 Fire resistance class EI 60 ($h_{\max}=5.5$ m) ^{1) 2)}	 Max height 6.0 m ¹⁾
 Wall mass 37 kg/m ² ³⁾	 Acoustic insulation $R_W=68$ dB ⁴⁾ $R_{A1}=63$ dB ⁴⁾

The above-mentioned parameters apply to a partition made of sheet metal profiles with a thickness of 0.55 mm and 0.6 mm or 0.55 mm

- 1) The stated heights apply to constructions with a profile spacing of 600 mm. When a structure with profiles spaced every 300 or 400 mm is used, the permissible wall height increases. Contact system provider representatives for details. The stated heights apply to rooms where only a few persons are present simultaneously (e.g. rooms in flats, hotels, hospitals). In rooms where a large number of persons are present simultaneously (e.g. conference rooms, classrooms, lecture halls), the permissible height is 5.1 m.
- 2) Based on classification no. LBO-127-KZ/24 for 50 mm rock wool
- 3) The weight specified does not include the insulation material weight.
- 4) Based on report no. A 211002 for 2x75 mm glass wool

Standard

★★ RECOMMENDED

It provides higher building stability, fire resistance and sound insulation. The optimal solution.



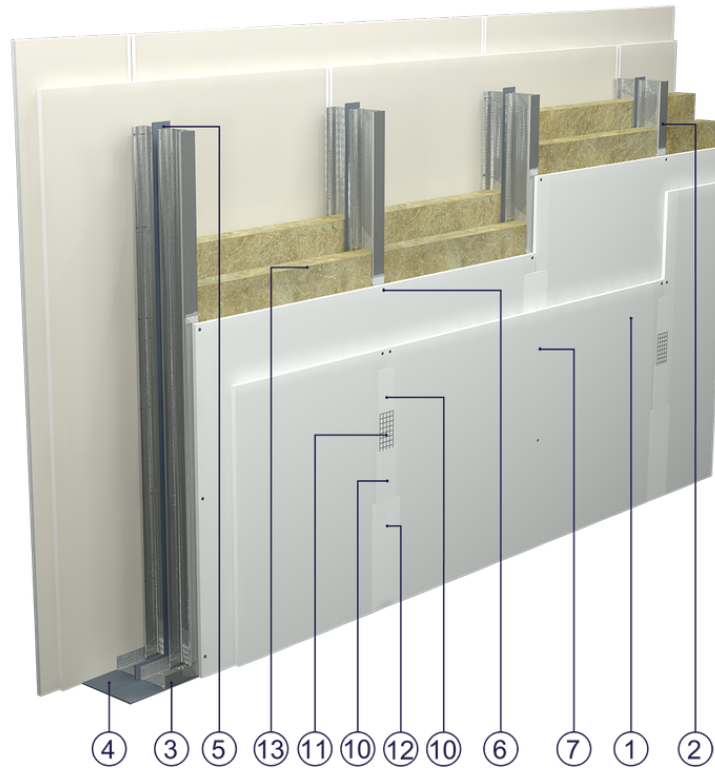


Fig. 1. Partition wall view

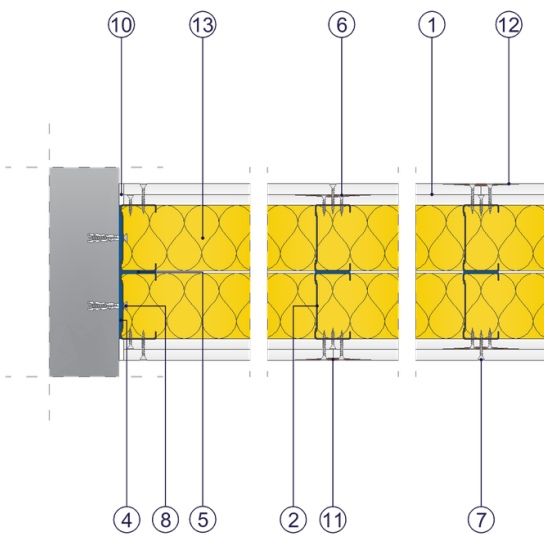


Fig. 2. Partition wall horizontal section

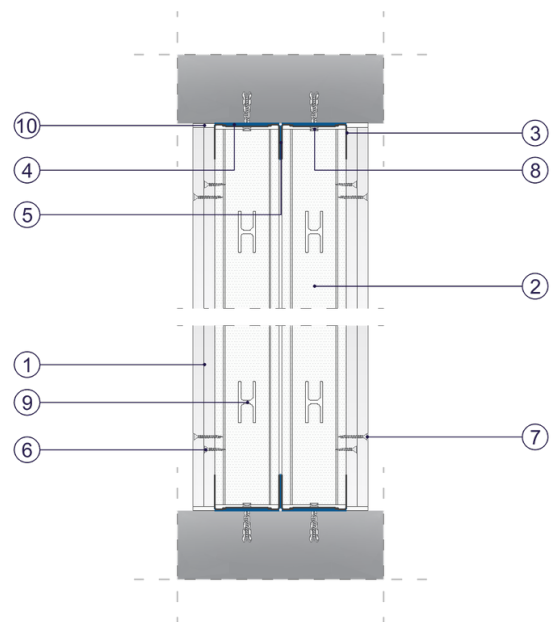


Fig. 3. Partition wall vertical section