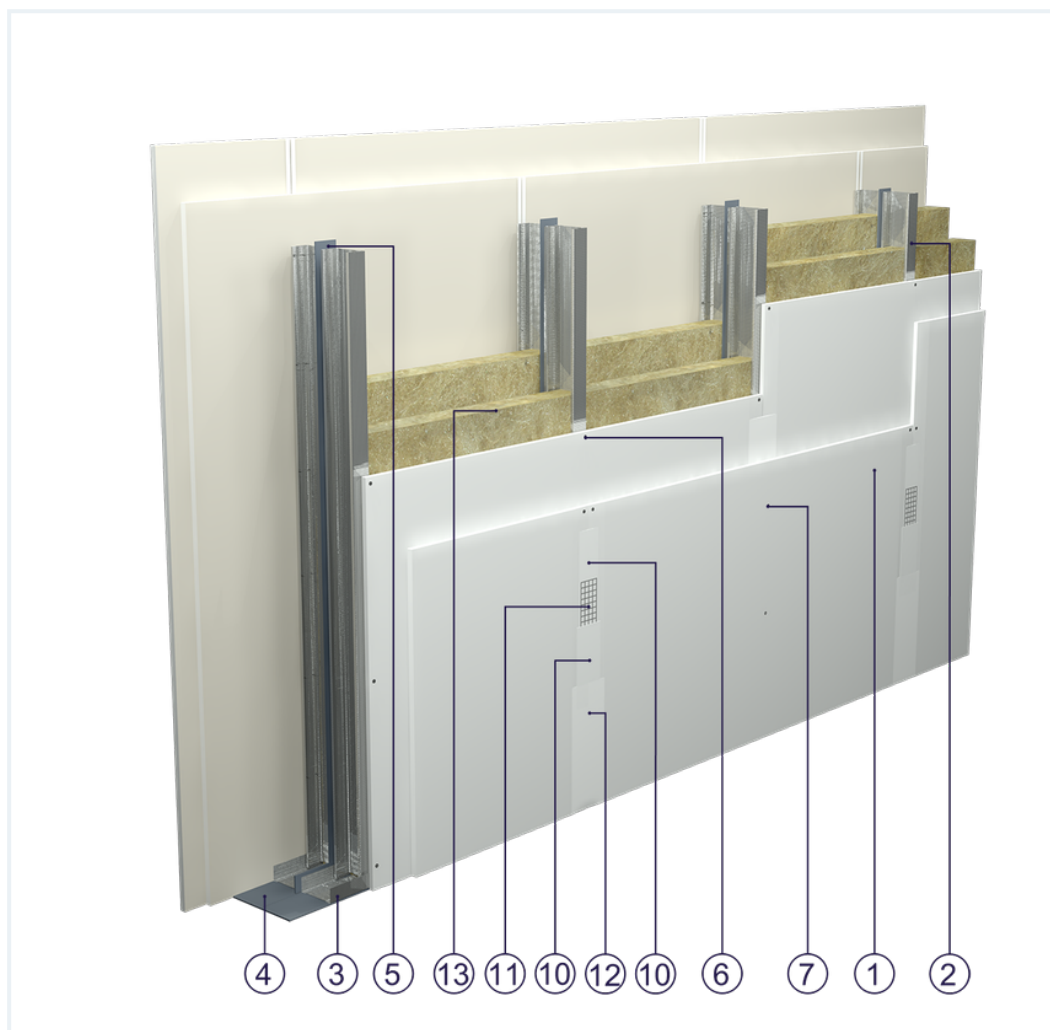


SYSTEM DATASHEET

Partition wall SD - 2x12,5 ACO A/2xCW 75 2xW





on a double structure of CW 75 and UW 75 profiles, double with A-type acoustic boards, thickness: 12.5 mm with mineral wool filling



Partition wall components

1. Norgips S GKB type A plasterboards of 12.5 mm thickness 12.5 mm
2. Norgips CW 75 profiles, max. axial spacing every 60 cm
3. Norgips UW 75 profiles mounted on horizontal load-bearing elements
4. Norgips sealing tape, width 75 mm
5. Norgips sealing tape, width 50 mm
6. Norgips 3.5 x 25 mm sheet metal screws, max. spacing every 75 cm
7. Norgips 3.5 x 35 mm sheet metal screws, max. spacing every 25 cm
8. Fastening pins, min. \varnothing 6 x 40 mm, max. spacing every 80 cm
9. Openings in studs for installation wires
10. Norgips Start & Finish ready-made joint compound or Norgips Start gypsum joint compound
11. Norgips reinforcing tape
12. Ready-made joint compound Norgips Extra Finish, ready-made joint compound Norgips Start & Finish, gypsum joint compound Norgips Finish
13. Mineral wool

Technical data

	Fire resistance class EI 60 ($h_{\max}=5.5$ m) ^{1) 2)}		Max height 6.0 m ¹⁾
	Wall mass 40 kg/m ² ³⁾		Acoustic insulation $R_W=71$ dB ⁴⁾ $R_{A1}=68$ dB ⁴⁾

The above-mentioned parameters apply to a partition made of sheet metal profiles with a thickness of 0.55 mm and 0.6 mm or 0.55 mm

- 1) The stated heights apply to constructions with a profile spacing of 600 mm. When a structure with profiles spaced every 300 or 400 mm is used, the permissible wall height increases. Contact system provider representatives for details. The stated heights apply to rooms where only a few persons are present simultaneously (e.g. rooms in flats, hotels, hospitals). In rooms where a large number of persons are present simultaneously (e.g. conference rooms, classrooms, lecture halls), the permissible height is 5.1 m.
- 2) Based on classification no. LBO-127-KZ/24 for 50 mm rock wool
- 3) The weight specified does not include the insulation material weight.
- 4) Based on report no. A 190302 for 2x75 mm glass wool

Standard

★ ★ ★ SUPER

It provides a very stable building with the highest fire resistance, sound insulation and hardness.



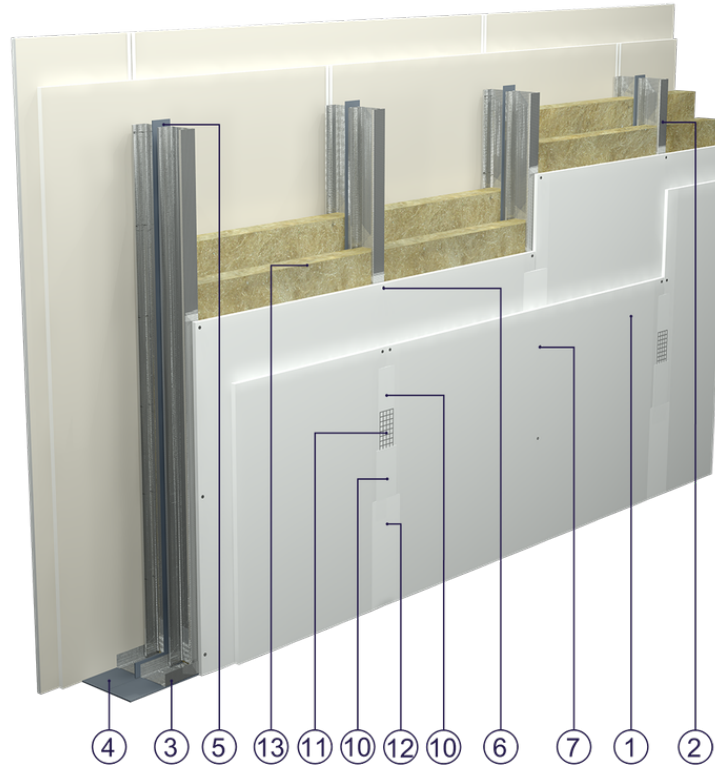


Fig. 1. Partition wall view

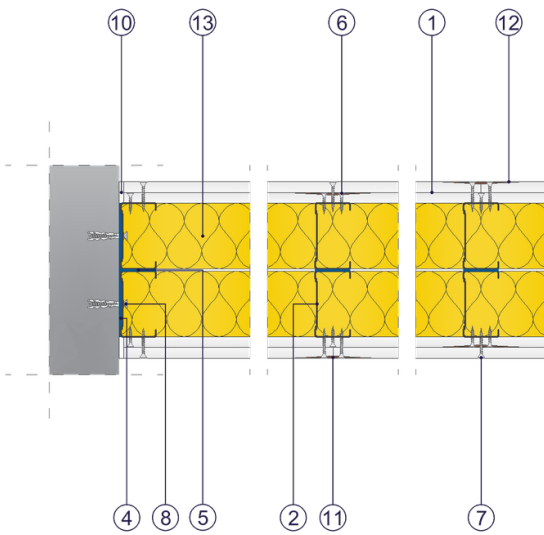


Fig. 2. Partition wall horizontal section

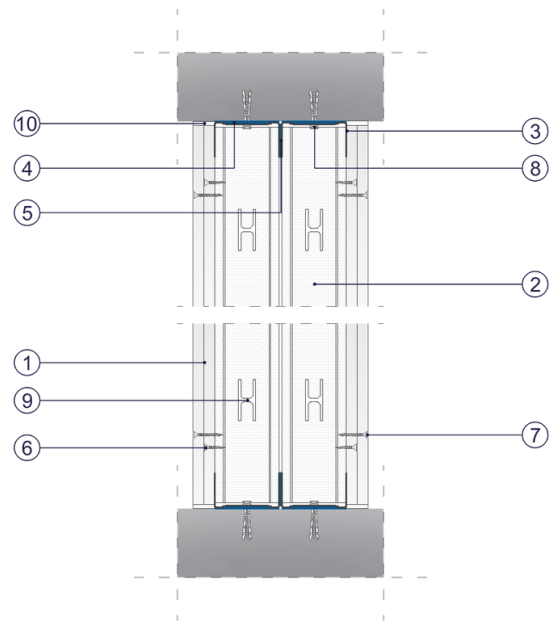


Fig. 3. Partition wall vertical section