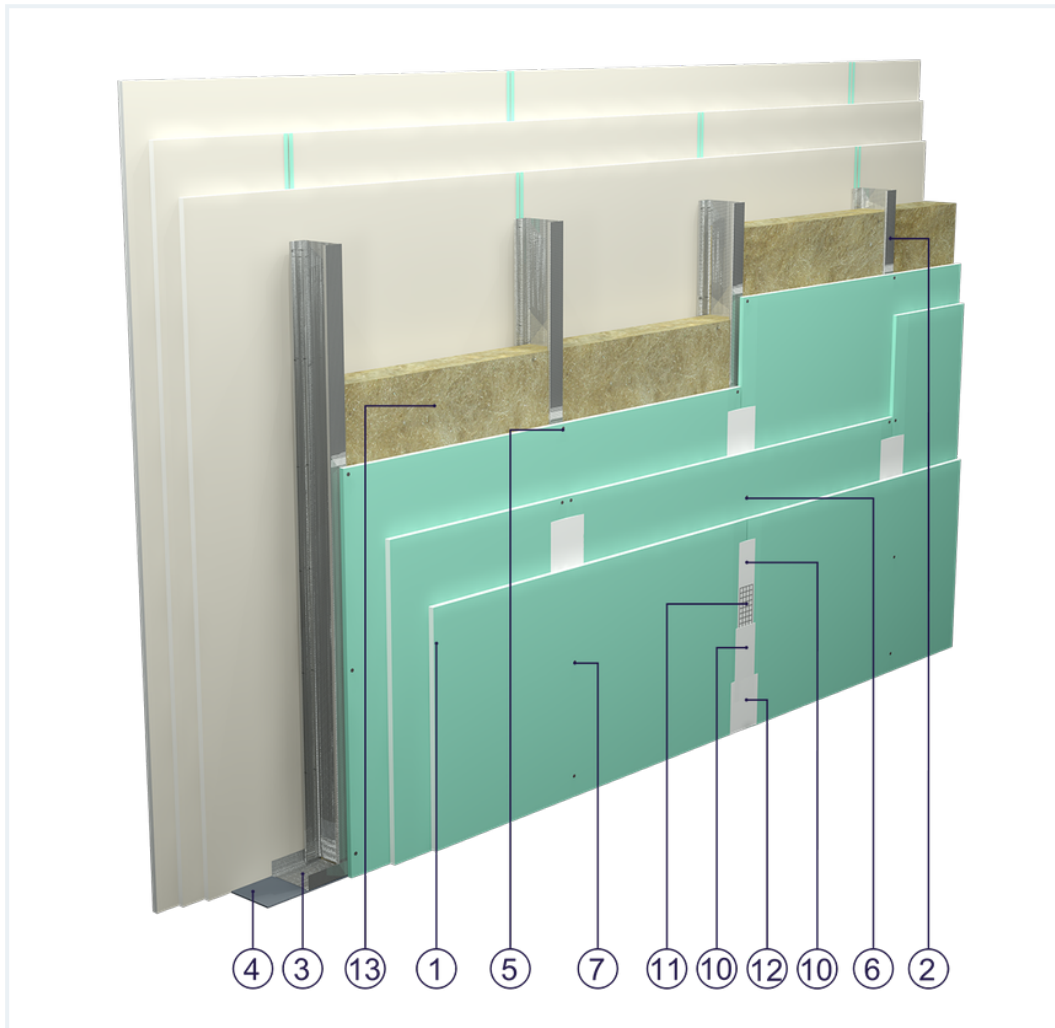


## SYSTEM DATASHEET

### High wall SD - 3x15 GKFI DFH2/CW 100 W

on a CW 100 and UW 100 profile structure with triple DFH2 type GKFI plasterboard boards. 15 mm with mineral wool filling



## Partition wall components

1. Norgips S GKFI type DFH2 gypsum plasterboard , thickness: 15 mm
2. Norgips CW 100 profiles, max. axial spacing every 60 cm
3. Norgips UW 100 profiles mounted on horizontal load-bearing elements
4. Norgips sealing tape, width 100 mm
5. Norgips 3.5 x 25 mm sheet metal screws, max. spacing every 75 cm
6. Norgips 3.5 x 45 mm sheet metal screws, max. spacing every 50 cm
7. Norgips 3.5 x 55 mm sheet metal screws, max. spacing every 25 cm
8. Fastening pins, min. Ø 6 x 40 mm, max. spacing every 80 cm
9. Openings in studs for installation wires
10. Norgips Start & Finish ready-made joint compound or Norgips Start gypsum joint compound
11. Norgips reinforcing tape
12. Ready-made joint compound Norgips Extra Finish, ready-made joint compound Norgips Start & Finish, gypsum joint compound Norgips Finish
13. Mineral wool

## Technical data

 Max height 6.6 m <sup>1)</sup>	 Wall mass 87 kg/m <sup>2</sup> <sup>3)</sup>
---	---

The above-mentioned parameters apply to a partition made of sheet metal profiles with a thickness of 0.6 mm.

- 1) The stated heights apply to constructions with a profile spacing of 600 mm. When a structure with profiles spaced every 300 or 400 mm is used, the permissible wall height increases. Contact system provider representatives for details. The stated heights apply to rooms where only a few persons are present simultaneously (e.g. rooms in flats, hotels, hospitals). In rooms where a large number of persons are present simultaneously (e.g. conference rooms, classrooms, lecture halls), the permissible height is 5.5 m.
- 3) The weight specified does not include the insulation material weight.

## Standard

☆☆☆ SUPER

It provides a very stable building with the highest fire resistance, sound insulation and hardness. Increased moisture resistance.



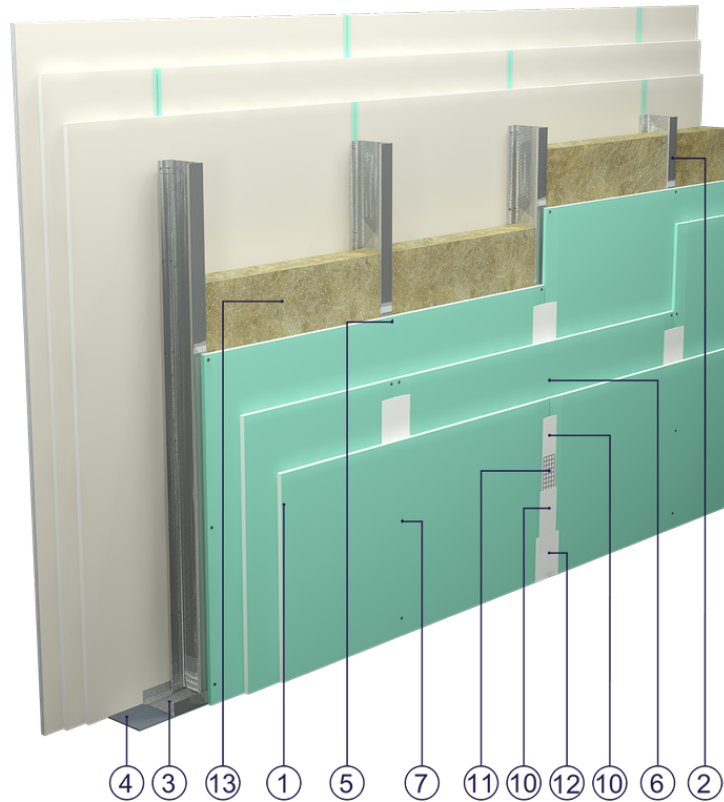


Fig. 1. Partition wall view

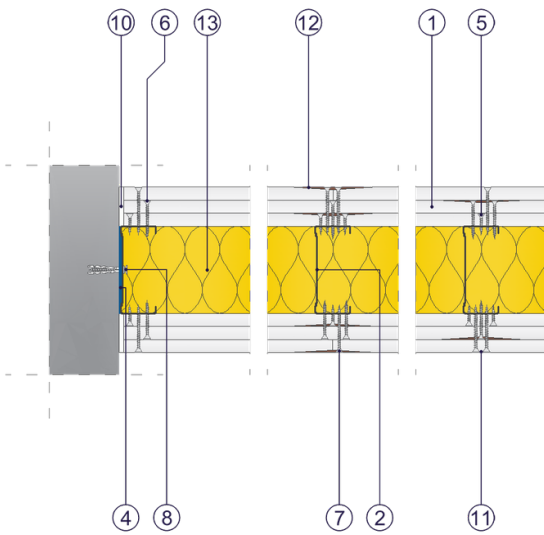


Fig. 2. Partition wall horizontal section

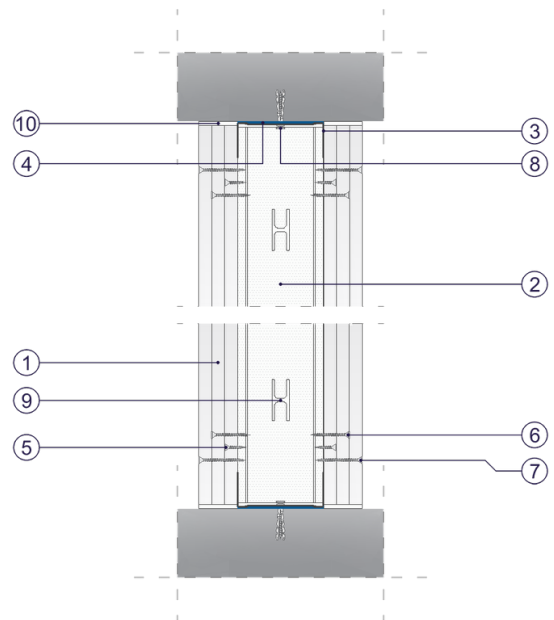


Fig. 3. Partition wall vertical section