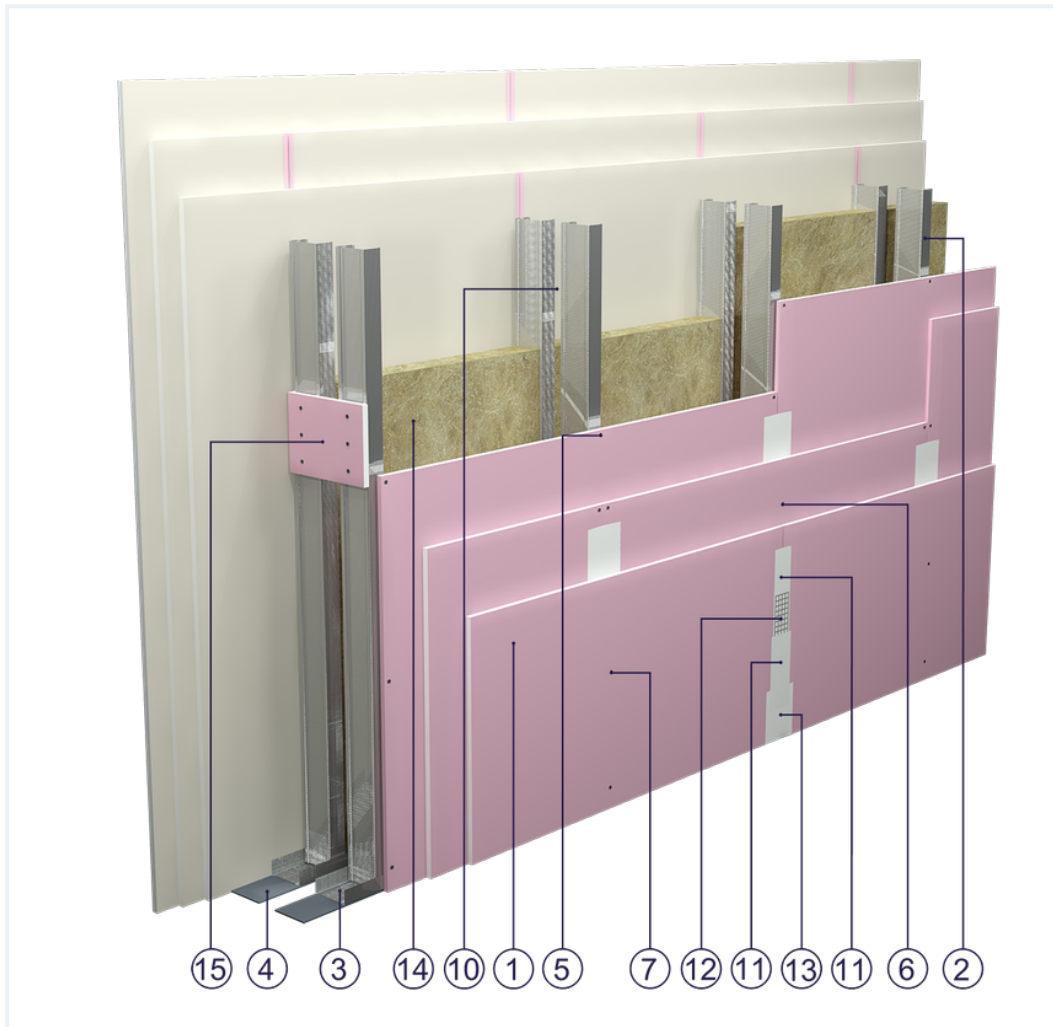


SYSTEM DATASHEET

High wall SDI - 3x12,5 GKF DF/2xCW 75 W

on a double structure of CW 75 and UW 75 profiles with triple, DF-type GKF boards with a thickness of 12.5 mm with mineral wool filling



Partition wall components

1. Norgips S GKF type DF gypsum plasterboard , thickness: 12.5 mm
2. Norgips CW 75 profiles, max. axial spacing every 60 cm
3. Norgips UW 75 profiles mounted on horizontal load-bearing elements
4. Norgips sealing tape, width 75 mm
5. Norgips 3.5 x 25 mm sheet metal screws, max. spacing every 75 cm
6. Norgips 3.5 x 35 mm sheet metal screws, max. spacing every 50 cm
7. Norgips 3.5 x 55 mm sheet metal screws, max. spacing every 25 cm
8. Fastening pins, min. Ø 6 x 40 mm, max. spacing every 80 cm
9. Openings in studs for installation wires
10. Space for routing installation wires
11. Norgips Start & Finish ready-made joint compound or Norgips Start gypsum joint compound
12. Norgips reinforcing tape
13. Ready-made joint compound Norgips Extra Finish, ready-made joint compound Norgips Start & Finish, gypsum joint compound Norgips Finish
14. Mineral wool
15. Plasterboards of min. height of 30 cm, mounted with six 3.5 x 25 mm sheet metal screws

Technical data

	Max height 7.4 m ¹⁾		Wall mass 66 kg/m ² ³⁾
------------------------------------------------------------------------------------	-----------------------------------	------------------------------------------------------------------------------------	-------------------------------------------------

The above-mentioned parameters apply to a partition made of sheet metal profiles with a thickness of 0.6 mm.

- 1)** The stated heights apply to constructions with a profile spacing of 600 mm. When a structure with profiles spaced every 300 or 400 mm is used, the permissible wall height increases. Contact system provider representatives for details. The stated heights apply to rooms where only a few persons are present simultaneously (e.g. rooms in flats, hotels, hospitals). In rooms where a large number of persons are present simultaneously (e.g. conference rooms, classrooms, lecture halls), the permissible height is 6.2 m.
- 3)** The weight specified does not include the insulation material weight.

Standard

★ ★ ★ SUPER

It provides a very stable building with the highest fire resistance, sound insulation and hardness.



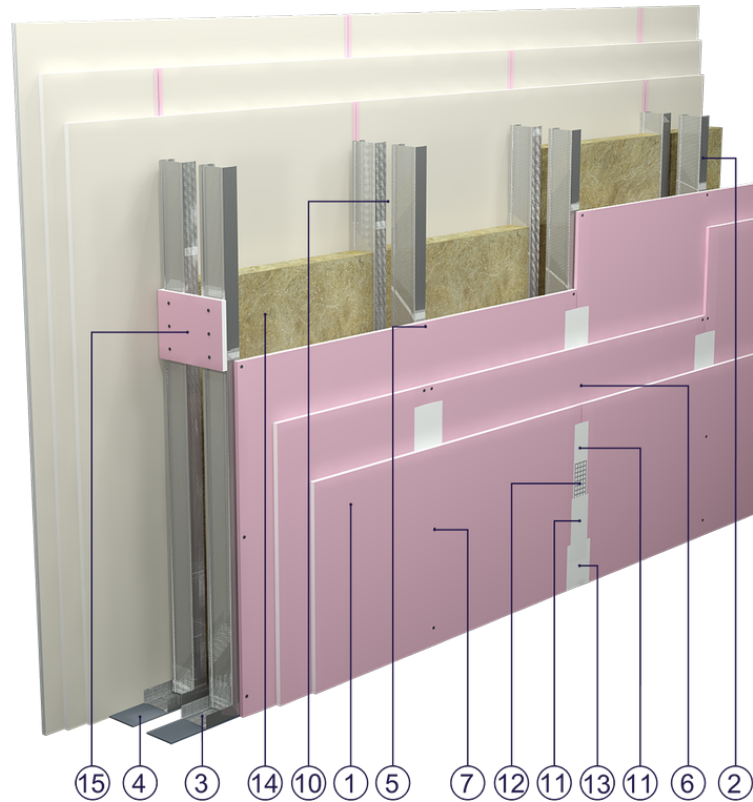


Fig. 1. Partition wall view

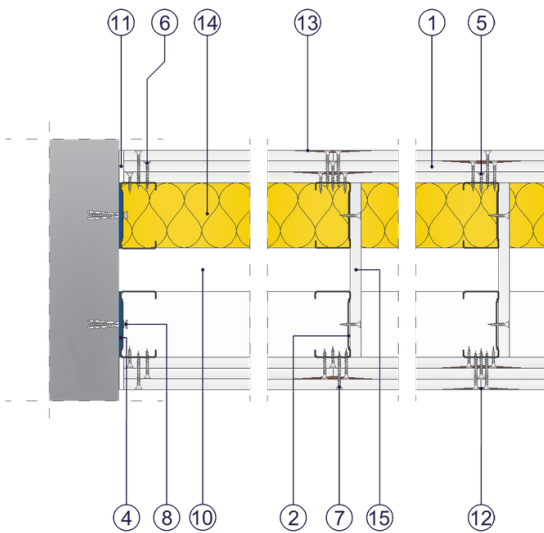


Fig. 2. Partition wall horizontal section

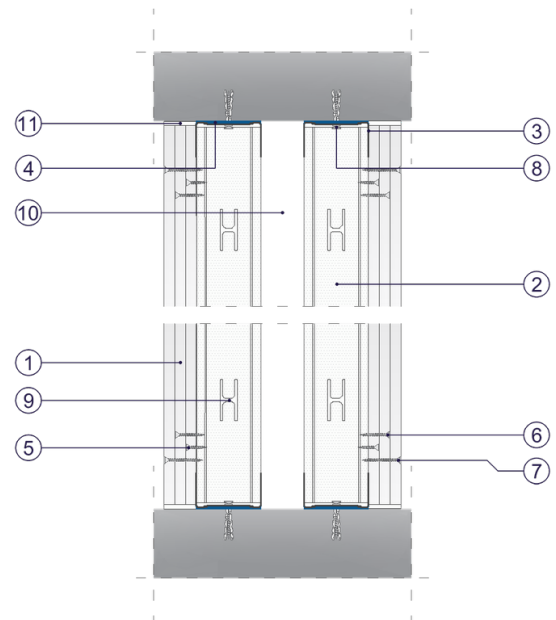


Fig. 3. Partition wall vertical section