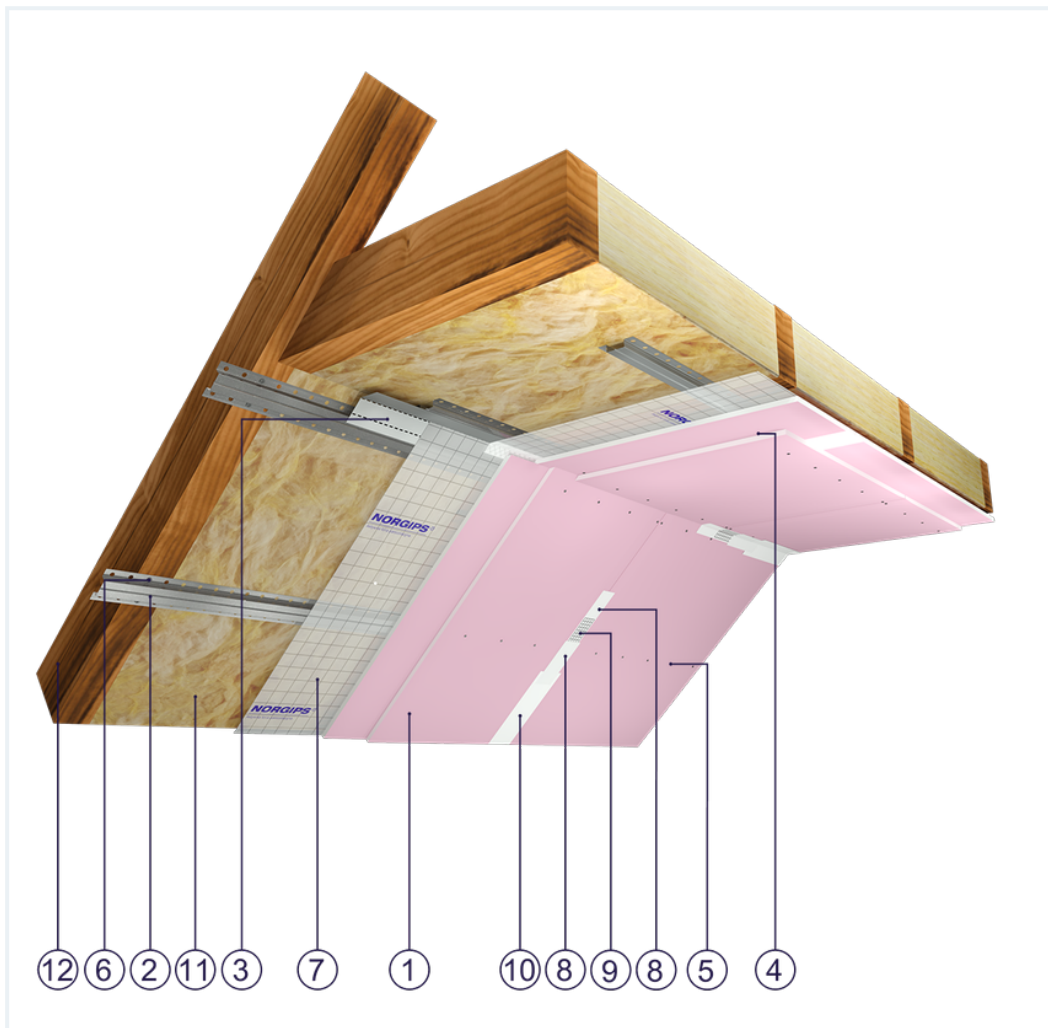


SYSTEM DATASHEET

Attic lining ZP - 2x12,5 GKF DF/KAP, W

on a hat profile structure with double skin of DF type GKF boards with a thickness of 12.5 mm



Attic lining elements

1. Norgips S GKF type DF gypsum plasterboard , thickness: 12.5 mm
2. Norgips top hat profiles, max. axial spacing every 40 cm
3. Norgips FLEX universal profile
4. Norgips 3.5 x 25 mm sheet metal screws, max. spacing every 40 cm
5. Norgips 3.5 x 35 mm sheet metal screws, max. spacing every 17 cm
6. Norgips 3.5 x 35 mm wood screws
7. Vapour barrier membrane
8. Norgips Start & Finish ready-made joint compound or Norgips Start gypsum joint compound
9. Norgips reinforcing tape
10. Ready-made joint compound Norgips Extra Finish, ready-made joint compound Norgips Start & Finish, gypsum joint compound Norgips Finish
11. Mineral wool
12. Roof rafters

Technical data



Fire resistance class
REI 30 ¹⁾



Lining weight
22 kg/m² ²⁾

The above-mentioned parameters apply to a partition made of sheet metal profiles with a thickness of 0.55 and 0.6 mm.

In the ZP system - 2x12.5 GKF DF/KAP, W using profiles from sheet metal with a thickness of 0.5 mm is not allowed.

1) Based on classification no. LBO-786-KZ/22

2) The weight specified does not include the insulation material weight.

Standard

☆☆☆ SUPER

It provides a very stable building with the highest fire resistance, sound insulation and hardness.

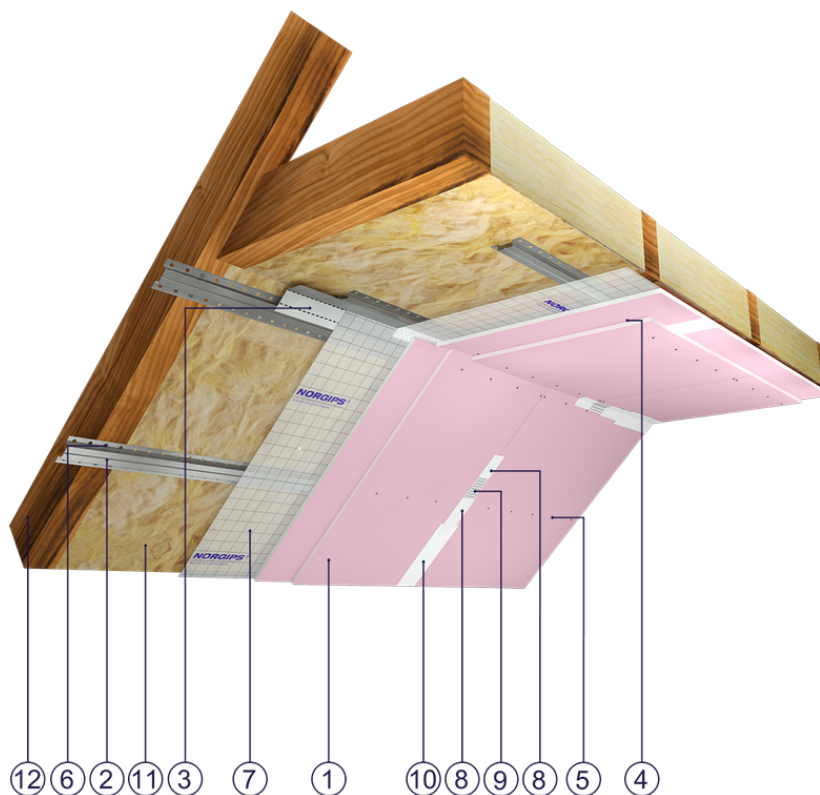


Fig. 1. Attic view

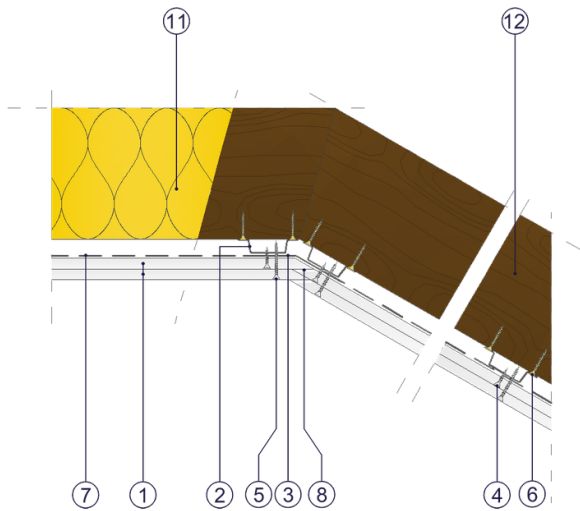


Fig. 2. Attic horizontal section

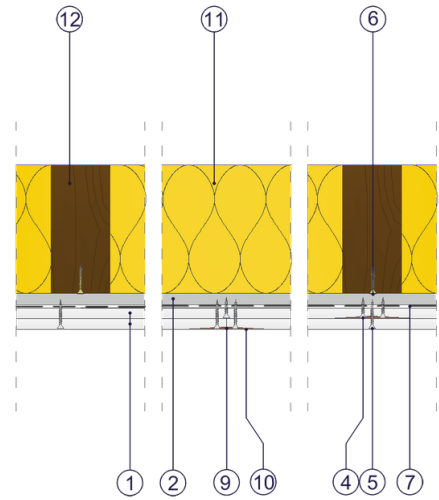


Fig. 3. Attic vertical section