

SYSTEM DATASHEET

Ceiling cladding OSF - 2x12,5 GKB A/KAP

on a hat profile structure with double cladding with A-type GKB boards , thickness: 12.5 mm



Ceiling cladding elements

1. Norgips S GKB type A plasterboards of 12.5 mm thickness 12.5 mm
2. Norgips top hat profiles, max. axial spacing every 50 cm
3. Optional Norgips sealing tape, width 30 mm
4. Norgips 3.5 x 25 mm sheet metal screws, max. spacing every 40 cm
5. Norgips 3.5 x 35 mm sheet metal screws, max. spacing every 17 cm
6. Steel dowels, min. \varnothing 6 x 40 mm in two rows every 100 cm
7. Norgips Start & Finish ready-made joint compound or Norgips Start gypsum joint compound
8. Norgips reinforcing tape
9. Ready-made joint compound Norgips Extra Finish, ready-made joint compound Norgips Start & Finish, gypsum joint compound Norgips Finish

Technical data



Wall mass
16 kg/m²



Cladding mass
18 kg/m²

The above-mentioned parameters apply to a partition made of sheet metal profiles with a thickness of 0.55 and 0.6 mm.

In the OSF - 2x12.5 GKB A/KAP system, the use of sheet metal profiles with a thickness of 0.5 mm is not allowed.

Standard

★★ RECOMMENDED

It provides higher building stability, fire resistance and sound insulation. The optimal solution.

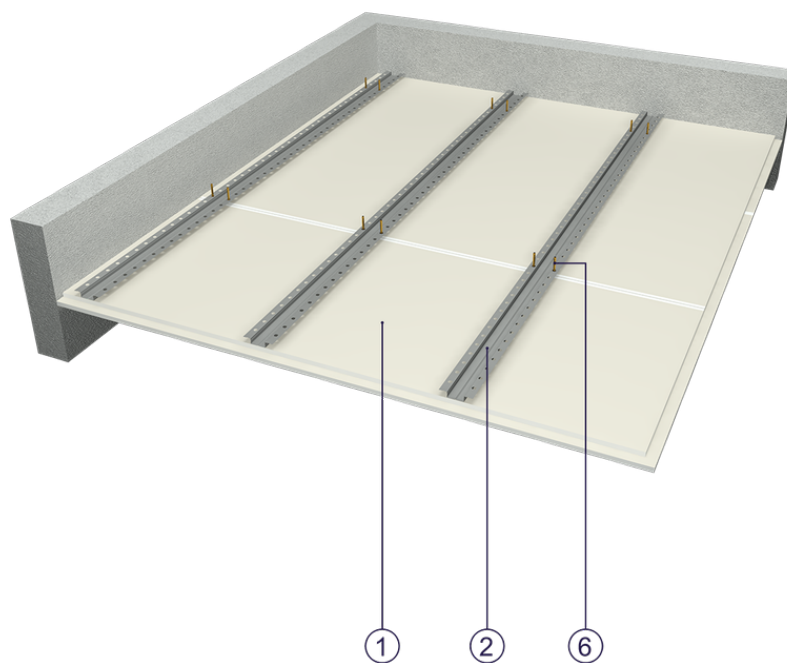


Fig. 1. Ceiling cladding view

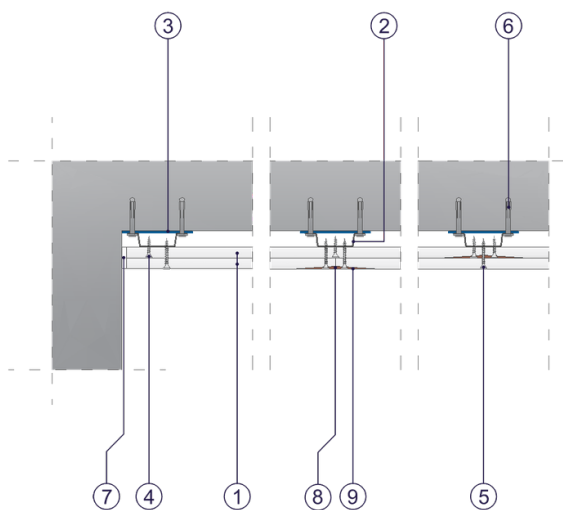


Fig. 2. Ceiling cladding horizontal section

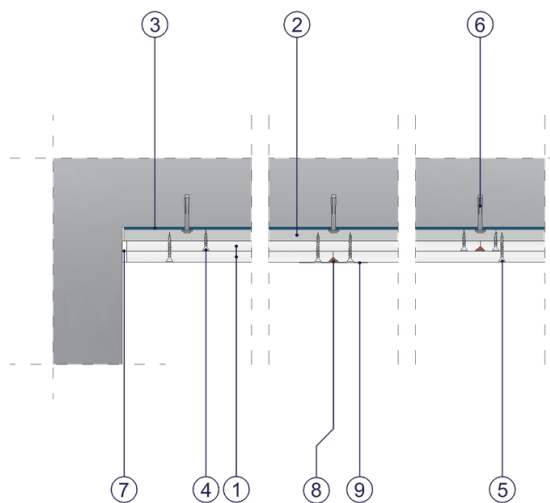


Fig. 3. Ceiling cladding vertical section