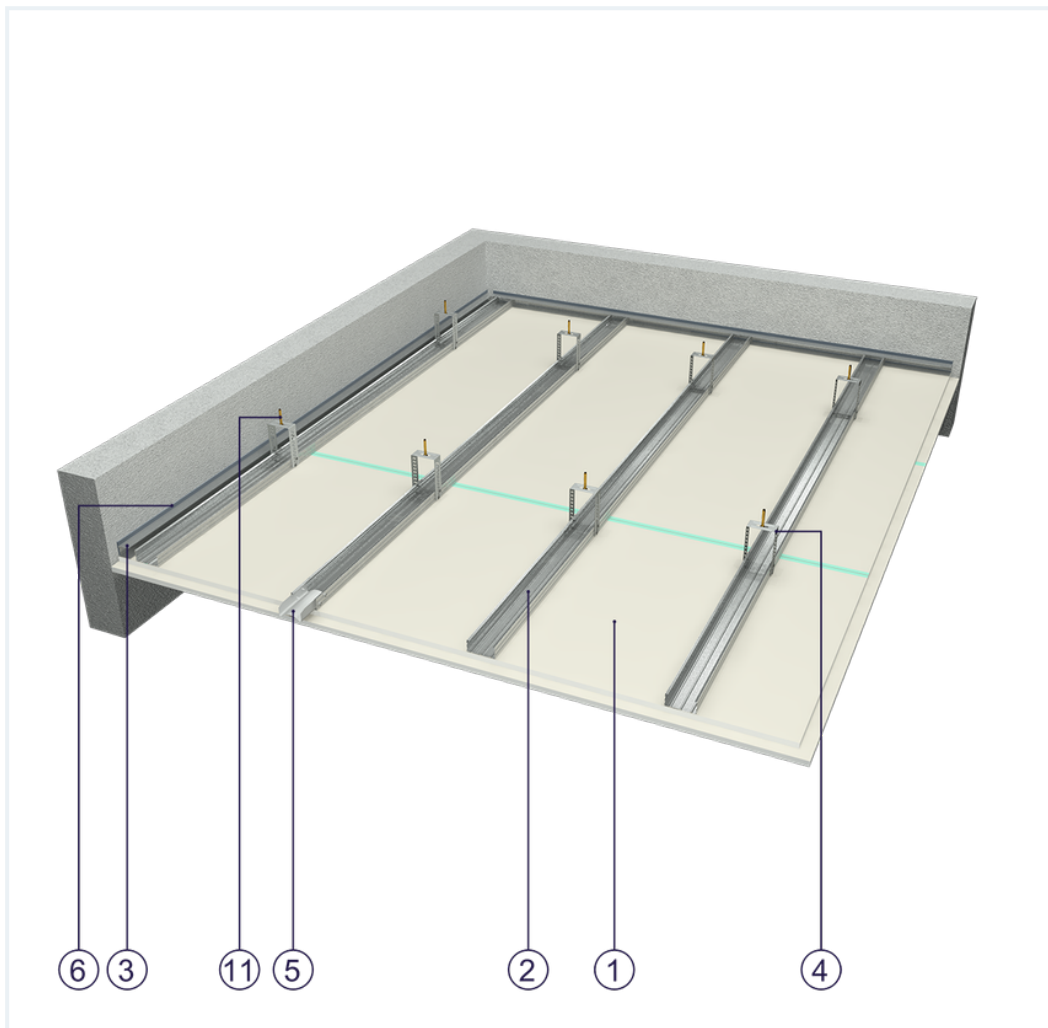


SYSTEM DATASHEET

Ceiling cladding OSF - 2x15 GKFI DFH2/CD 60




on a structure of CD 60 profiles, double with DFH2-type GKFI boards, thickness: 15 mm



Ceiling cladding elements

1. Norgips S GKFI type DFH2 gypsum plasterboard , thickness: 15 mm
2. Norgips CD 60 profiles, max. axial spacing every 40 cm**
3. Profile Norgips UD 30
4. Norgips ES/ES Plus hangers, max. spacing every 85 cm
5. Norgips crosswise connectors
6. Optional Norgips sealing tape, width 30 mm
7. Norgips 3.5 x 25 mm sheet metal screws, max. spacing every 40 cm
8. Norgips 3.5 x 45 mm sheet metal screws, max. spacing every 17 cm
9. Norgips 3.5 x 9.5 mm sheet metal screws with a self-tapping tip
10. Fastening pins, min. Ø 6 x 40 mm, max. spacing every 80 cm
11. Steel dowels, min. Ø 6 x 40 mm
12. Norgips Start & Finish ready-made joint compound or Norgips Start gypsum joint compound
13. Norgips reinforcing tape
14. Ready-made joint compound Norgips Extra Finish, ready-made joint compound Norgips Start & Finish, gypsum joint compound Norgips Finish

Technical data

 Fire resistance class EI 60 ¹⁾	 Wall mass 30 kg/m ²
 Cladding mass 29 kg/m ²	

The above-mentioned parameters apply to a partition made of sheet metal profiles with a thickness of 0.55 and 0.6 mm.

In the OSF - 2x15 GKFI DFH2/CD 60 system, the use of sheet metal profiles with a thickness of

0.5 mm is not allowed.

¹⁾ Based on classification no. LBO-064-KZ/20

Standard

☆☆☆ SUPER

It provides a very stable building with the highest fire resistance, sound insulation and hardness. Increased moisture resistance.



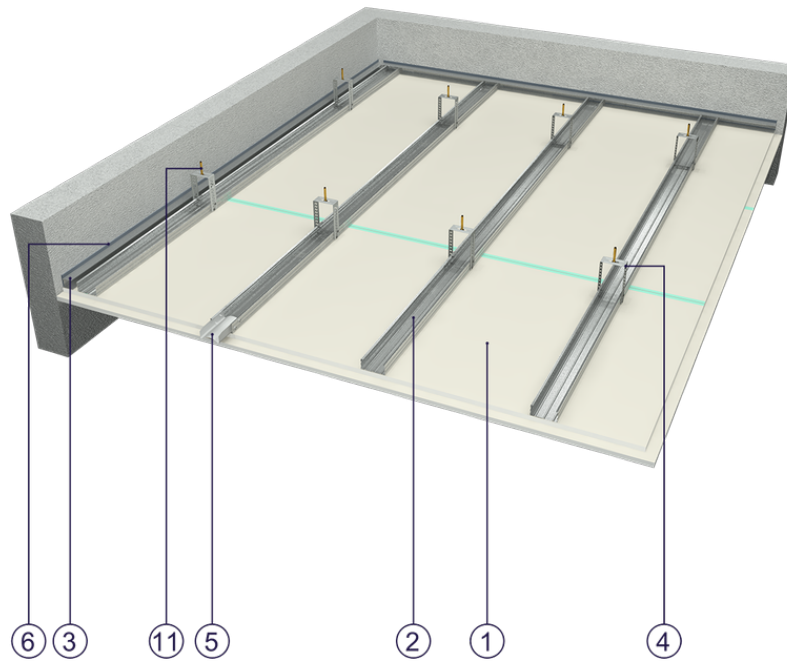


Fig. 1. Ceiling cladding view

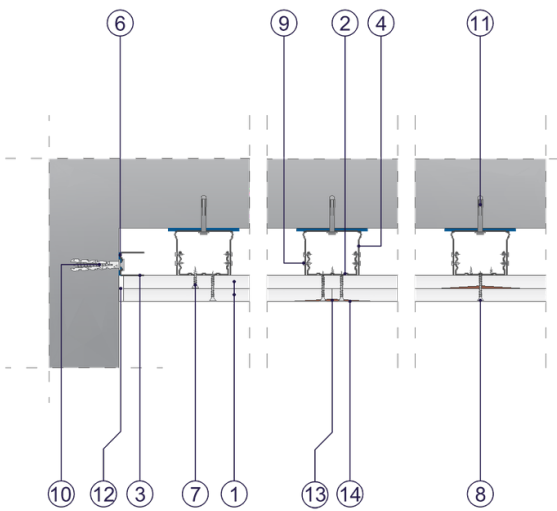


Fig. 2. Ceiling cladding horizontal section

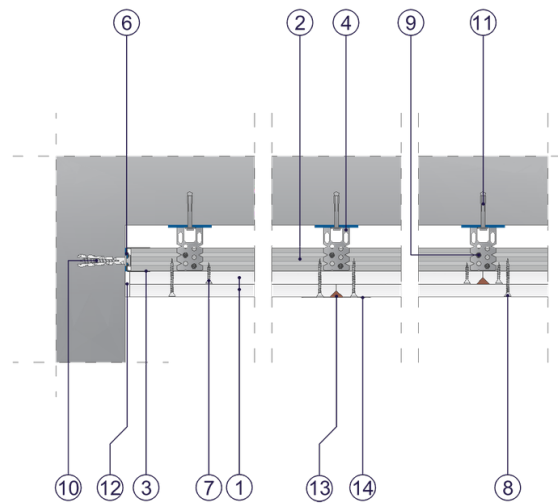


Fig. 3. Ceiling cladding vertical section