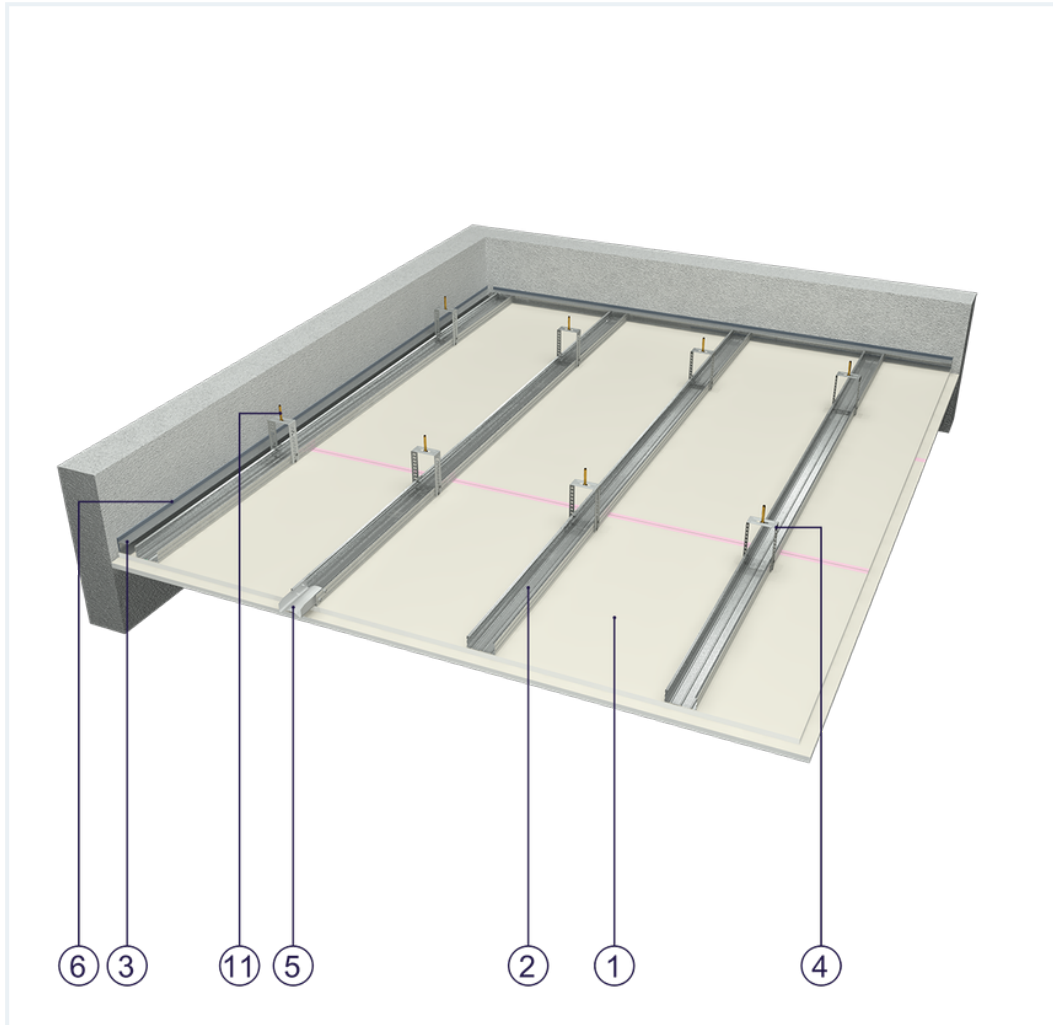


SYSTEM DATASHEET

Ceiling cladding OSF - 2x15 GKF DF/CD 60




on a structure of CD 60 profiles, double with DF-type GKF boards, thickness: - on a CD 60 profile structure with double DF-type GKF boards. 15 mm



Ceiling cladding elements

1. Norgips S GKF type DF gypsum plasterboard , thickness: 15 mm
2. Norgips CD 60 profiles, max. axial spacing every 40 cm**
3. Profile Norgips UD 30
4. Norgips ES/ES Plus hangers, max. spacing every 85 cm
5. Norgips crosswise connectors
6. Optional Norgips sealing tape, width 30 mm
7. Norgips 3.5 x 25 mm sheet metal screws, max. spacing every 40 cm
8. Norgips 3.5 x 45 mm sheet metal screws, max. spacing every 17 cm
9. Norgips 3.5 x 9.5 mm sheet metal screws with a self-tapping tip
10. Fastening pins, min. Ø 6 x 40 mm, max. spacing every 80 cm
11. Steel dowels, min. Ø 6 x 40 mm
12. Norgips Start & Finish ready-made joint compound or Norgips Start gypsum joint compound
13. Norgips reinforcing tape
14. Ready-made joint compound Norgips Extra Finish, ready-made joint compound Norgips Start & Finish, gypsum joint compound Norgips Finish

Technical data

 Fire resistance class EI 60 ¹⁾	 Wall mass 30 kg/m ²
 Cladding mass 29 kg/m ²	

The above-mentioned parameters apply to a partition made of sheet metal profiles with a thickness of 0.55 and 0.6 mm.

In the OSF - 2x15 GKF DF/CD 60 system, the use of sheet metal profiles with a thickness of 0.5 mm is not allowed.

¹⁾ Based on classification no. LBO-064-KZ/20

Standard

☆☆☆ SUPER

It provides a very stable building with the highest fire resistance, sound insulation and hardness.



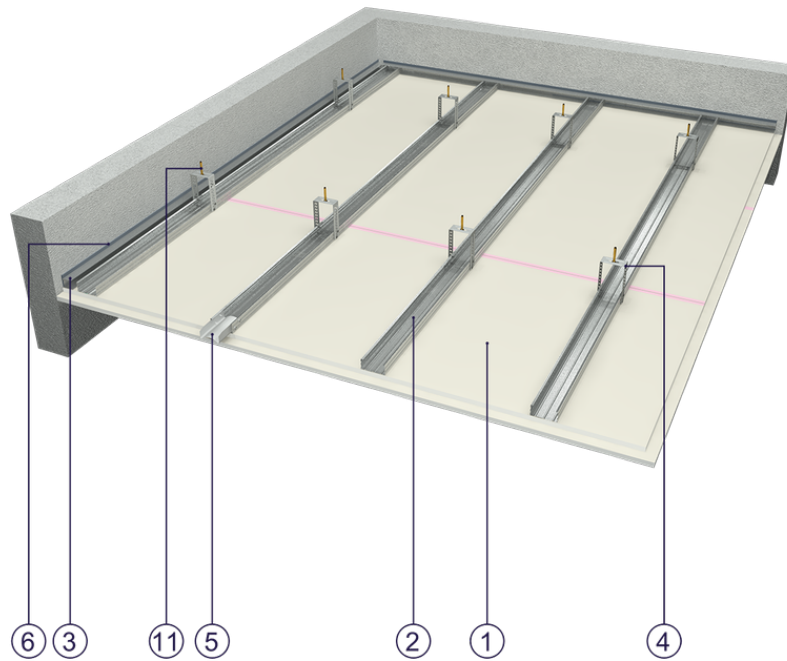


Fig. 1. Ceiling cladding view

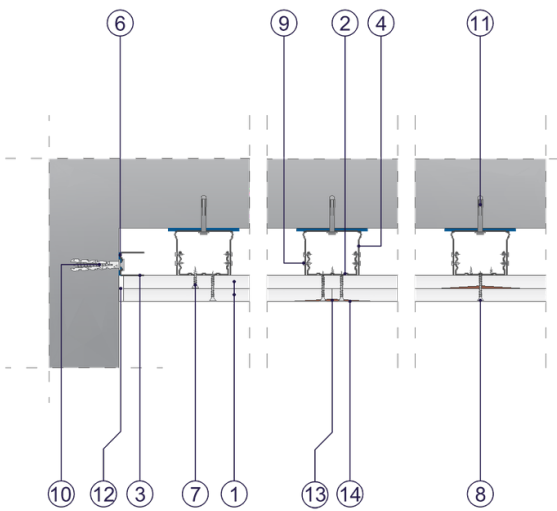


Fig. 2. Ceiling cladding horizontal section

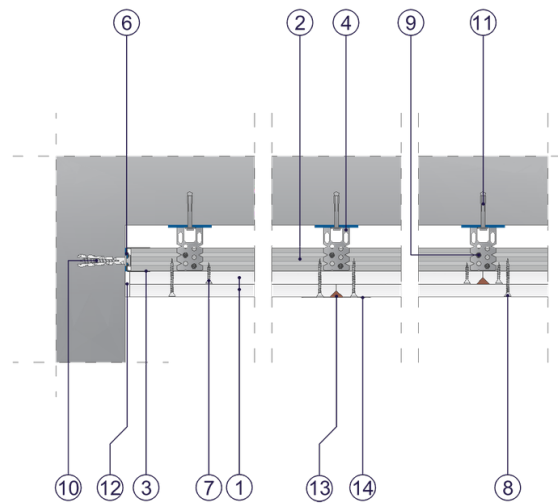


Fig. 3. Ceiling cladding vertical section