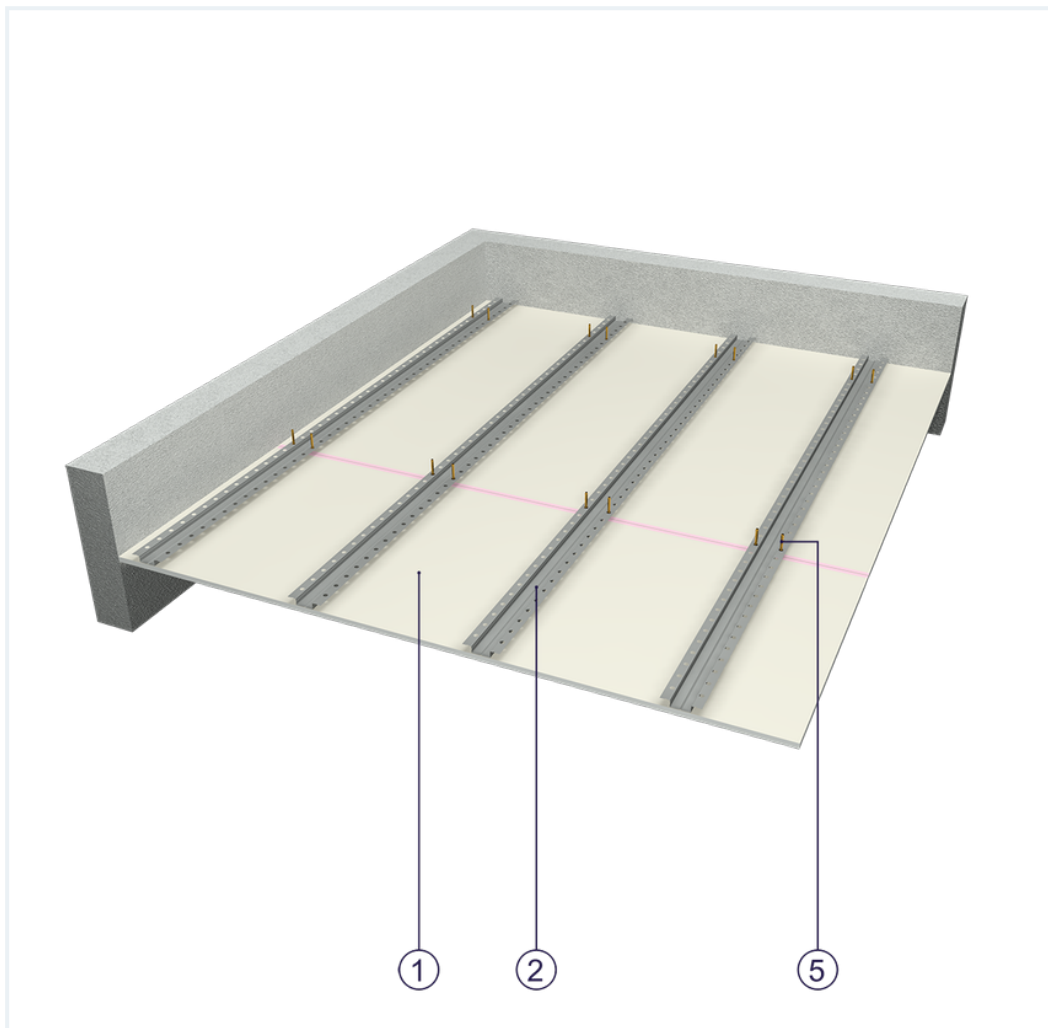


## SYSTEM DATASHEET

### Ceiling cladding OSF - 1x12,5 GKF DF/KAP

on a hat profile structure with single sheathing of DF type GKF boards with a thickness of 12.5 mm



### Ceiling cladding elements

1. Norgips S GKF type DF gypsum plasterboard , thickness: 12.5 mm
2. Norgips top hat profiles, max. axial spacing every 40 cm
3. Optional Norgips sealing tape, width 30 mm
4. Norgips 3.5 x 25 mm sheet metal screws, max. spacing every 17 cm
5. Steel dowels, min.  $\varnothing$  6 x 40 mm in two rows every 100 cm
6. Norgips Start & Finish ready-made joint compound or Norgips Start gypsum joint compound
7. Norgips reinforcing tape
8. Ready-made joint compound Norgips Extra Finish, ready-made joint compound Norgips Start & Finish, gypsum joint compound Norgips Finish

## Technical data



Fire resistance class  
EI 15 <sup>1)</sup>



Wall mass  
12 kg/m<sup>2</sup>



Cladding mass  
13 kg/m<sup>2</sup>

The above-mentioned parameters apply to a partition made of sheet metal profiles with a thickness of 0.55 and 0.6 mm.

In the OSF - 1x12.5 GKF DF/KAP system, the use of sheet metal profiles with a thickness of 0.5 mm is not allowed.

<sup>1)</sup> Based on classification no. LBO-062-KZ/25

## Standard

### ★ BASIC

Provides a lightweight stable building with basic fire resistance. A robust and cost-effective solution.

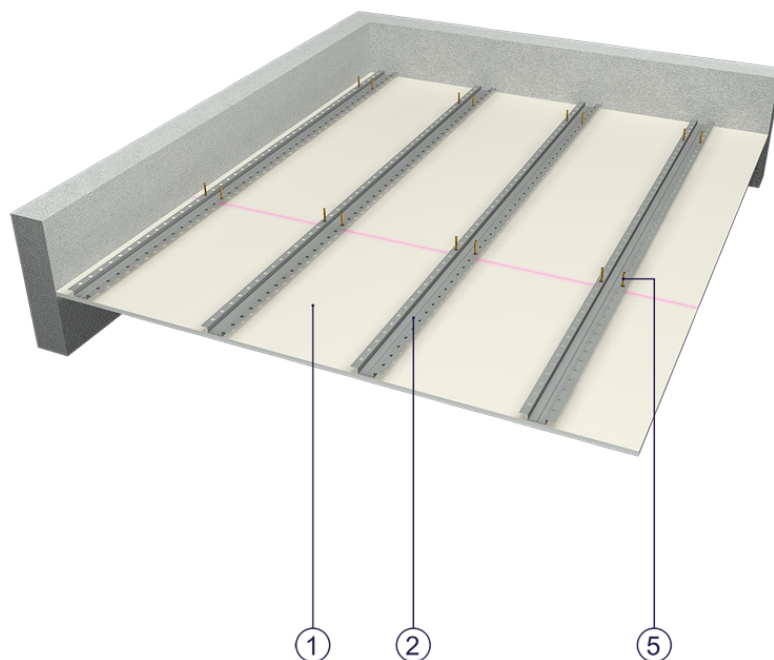


Fig. 1. Ceiling cladding view

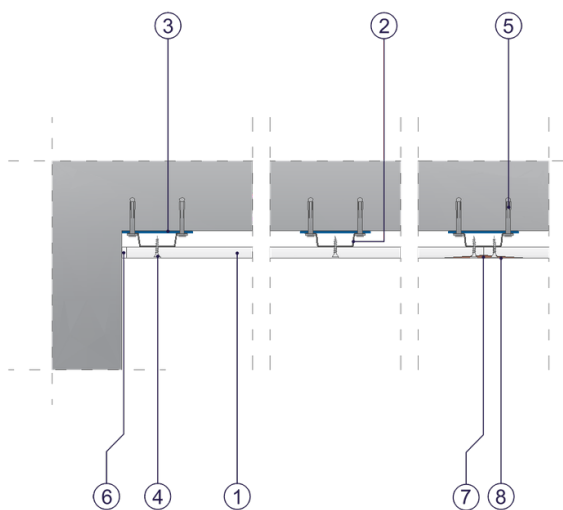


Fig. 2. Ceiling cladding horizontal section

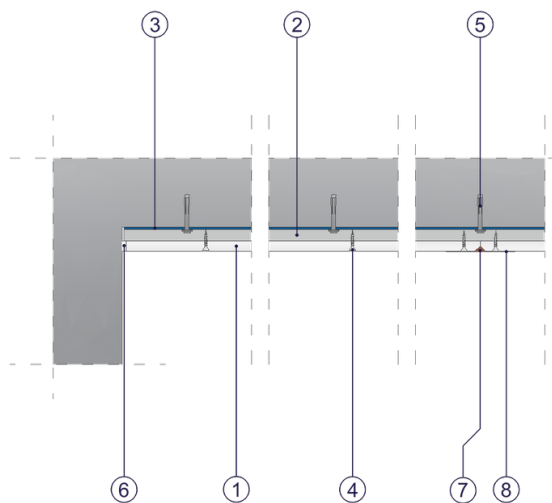


Fig. 3. Ceiling cladding vertical section