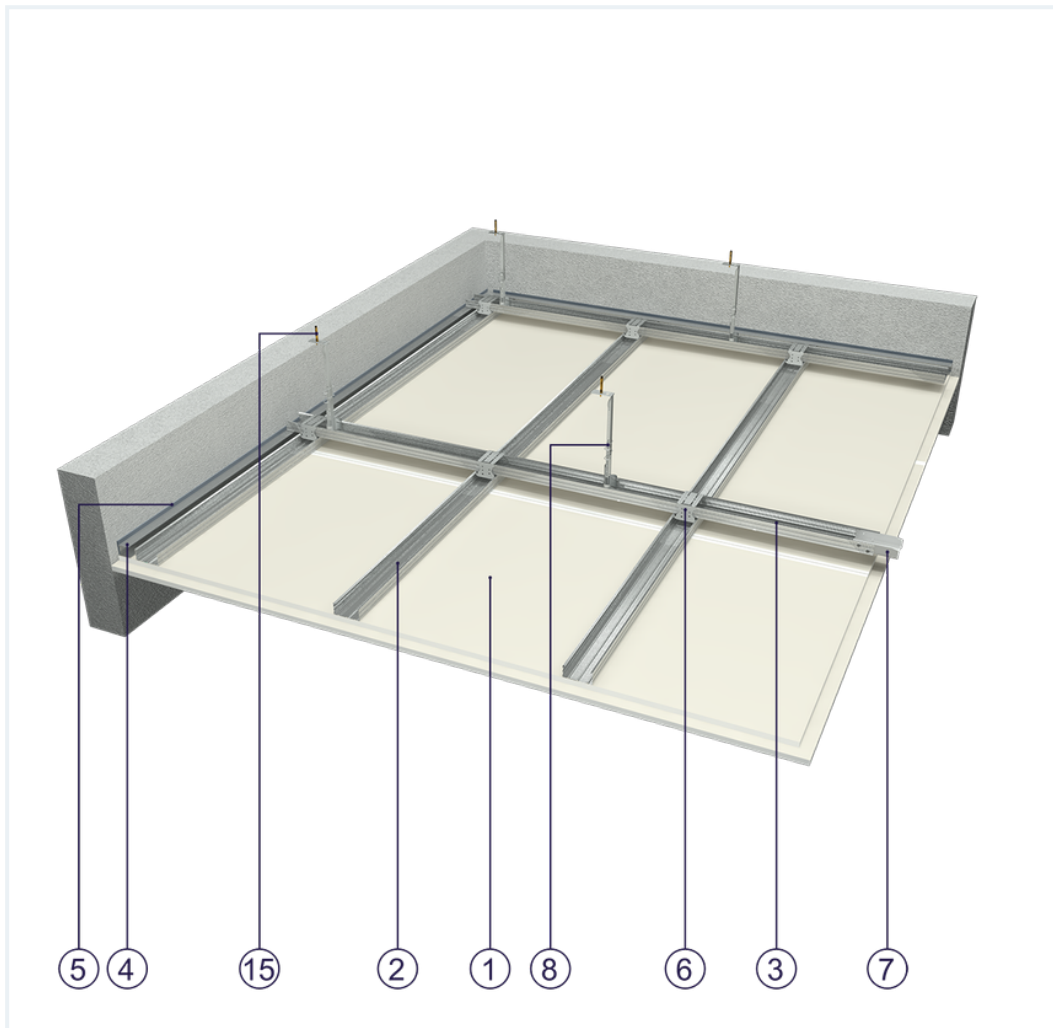


SYSTEM DATASHEET

Suspended ceiling SP - 2x12,5 GKB A/CD 60, N

on a two-level grid made of CD 60 profiles mounted on vernier rotary hangers with double sheathing with GKB type A boards, thickness: 12.5 mm



Suspended ceiling elements

1. Norgips S GKB type A plasterboards of 12.5 mm thickness 12.5 mm
2. Norgips CD 60 profiles for load-bearing layer, axial spacing every 50 cm
3. Norgips CD 60 profiles for upper layer, axial spacing every 100 cm
4. Profile Norgips UD 30
5. Optional Norgips sealing tape, width 30 mm
6. Norgips cross connectors
7. Norgips crosswise connectors
8. Norgips rotary hangers with verniers, spacing every 85 cm
9. Norgips vernier hangers
10. Vernier pin
11. Norgips 3.5 x 25 mm sheet metal screws, max. spacing every 40 cm
12. Norgips 3.5 x 35 mm sheet metal screws, max. spacing every 17 cm
13. Norgips 3.5 x 9.5 mm sheet metal screws with a self-tapping tip
14. Fastening pins, min. \varnothing 6 x 40 mm, max. spacing every 80 cm
15. Steel dowels, min. \varnothing 6 x 40 mm
16. Norgips Start & Finish ready-made joint compound or Norgips Start gypsum joint compound
17. Norgips reinforcing tape
18. Ready-made joint compound Norgips Extra Finish, ready-made joint compound Norgips Start & Finish, gypsum joint compound Norgips Finish

Technical data



Lining weight
17 kg/m² ¹⁾

The above-mentioned parameters apply to a partition made of sheet metal profiles with a thickness of 0.55 and 0.6 mm.

In the SP - 2x12.5 GKB A/CD 60, N system, the use of sheet metal profiles with a thickness of 0.5 mm is not allowed.

If a partition separates environments of various temperature levels, possible application of an insulating material must be preceded with an analysis of thermal and humidity conditions. Such an analysis may result, e.g. in the necessity to apply a vapour resistant foil.

1) The weight specified does not include the insulation material weight.

Standard

★★ RECOMMENDED

It provides higher building stability, fire resistance and sound insulation. The optimal solution.



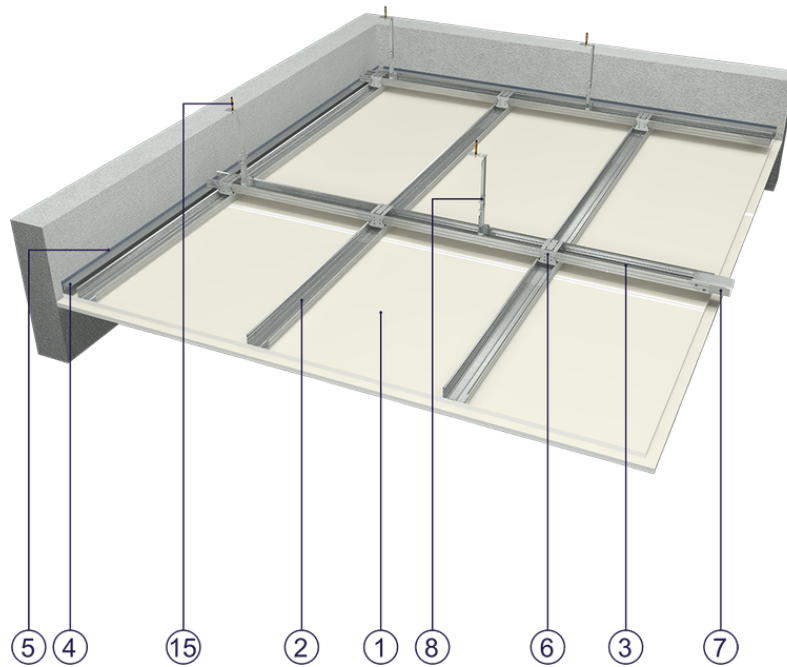


Fig. 1. Suspended ceiling view

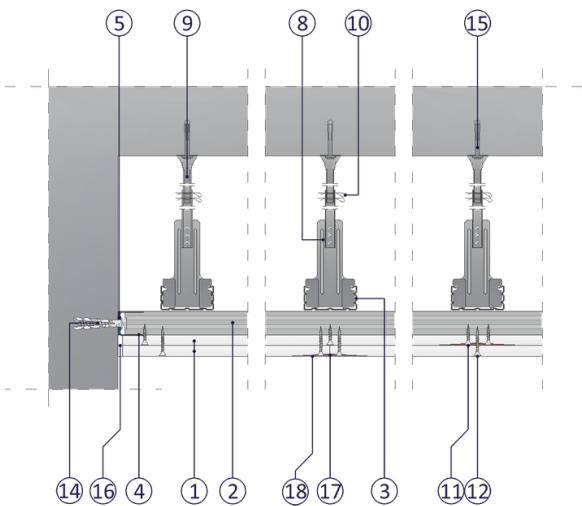


Fig. 2. Suspended ceiling horizontal section

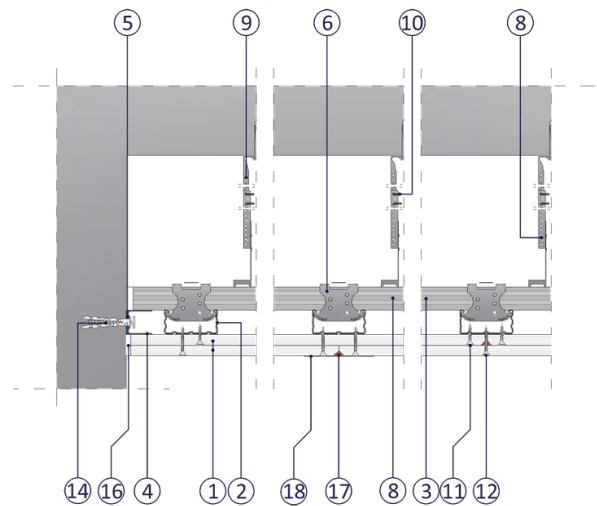


Fig. 3. Suspended ceiling vertical section