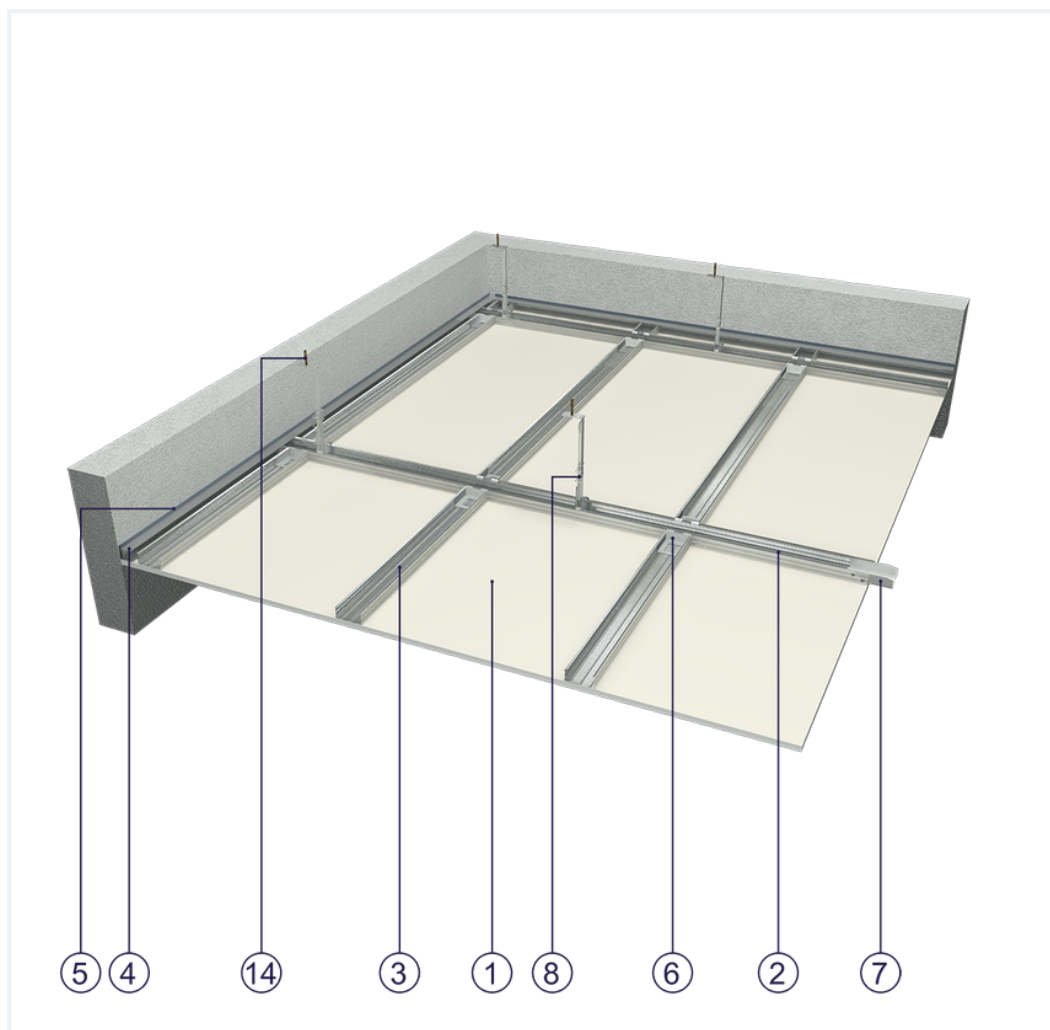


SYSTEM DATASHEET

Suspended ceiling SPJ - 1x12,5 GKF DF/CD 60, N

on a single-level grid made of CD 60 profiles mounted on vernier rotary hangers with single sheathing made of DF type GKF boards , thickness: 12.5 mm



Suspended ceiling elements

1. Norgips S GKF type DF gypsum plasterboard , thickness: 12.5 mm
2. Norgips CD 60 profiles for upper layer, axial spacing every 120 cm
3. Crosspiece made of Norgips CD 60 profiles, spacing every 40 cm
4. Profile Norgips UD 30
5. Optional Norgips sealing tape, width 30 mm
6. Norgips single sided lateral connectors
7. Norgips crosswise connectors
8. Norgips rotary hangers with verniers, spacing every 70 cm
9. Norgips vernier hangers
10. Vernier pin
11. Norgips 3.5 x 25 mm sheet metal screws, max. spacing every 17 cm
12. Norgips 3.5 x 9.5 mm sheet metal screws with a self-tapping tip
13. Fastening pins, min. \varnothing 6 x 40 mm, max. spacing every 80 cm
14. Steel dowels, min. \varnothing 6 x 40 mm
15. Norgips Start & Finish ready-made joint compound or Norgips Start gypsum joint compound
16. Norgips reinforcing tape
17. Ready-made joint compound Norgips Extra Finish, ready-made joint compound Norgips Start & Finish, gypsum joint compound Norgips Finish

Technical data

 Fire resistance class EI 15 ¹⁾	 Lining weight 13 kg/m ² ²⁾
--	---

The above-mentioned parameters apply to a partition made of sheet metal profiles with a thickness of 0.55 and 0.6 mm.

In the SPJ - 1x12.5 GKF DF/CD 60. N system, the use of sheet metal profiles with a thickness of 0.5 mm is not allowed.

If a partition separates environments of various temperature levels, possible application of an insulating material must be preceded with an analysis of thermal and humidity conditions. Such an analysis may result, e.g. in the necessity to apply a vapour resistant foil.

1) Based on classification no. LBO-062-KZ/25

2) The weight specified does not include the insulation material weight.

Standard

★ BASIC

Provides a lightweight stable building with basic fire resistance. A robust and cost-effective solution.



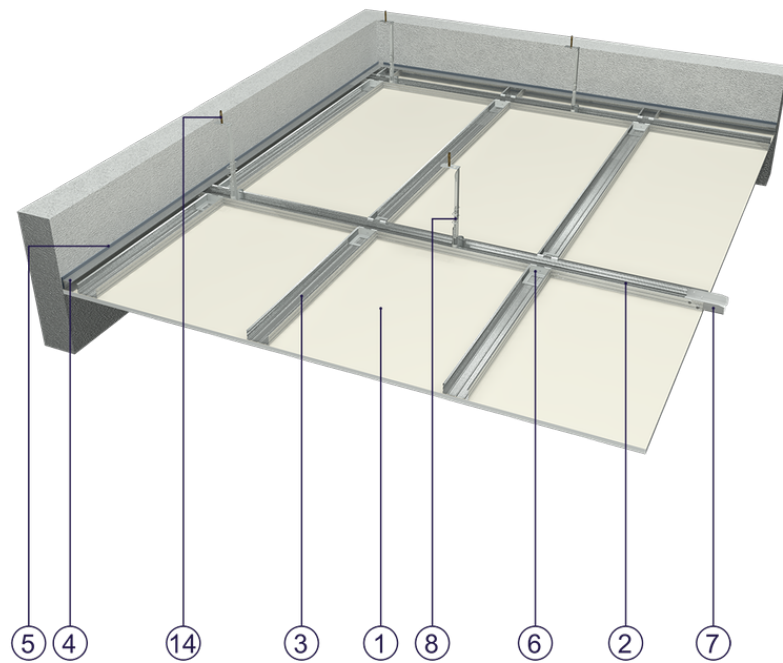


Fig. 1. Suspended ceiling view

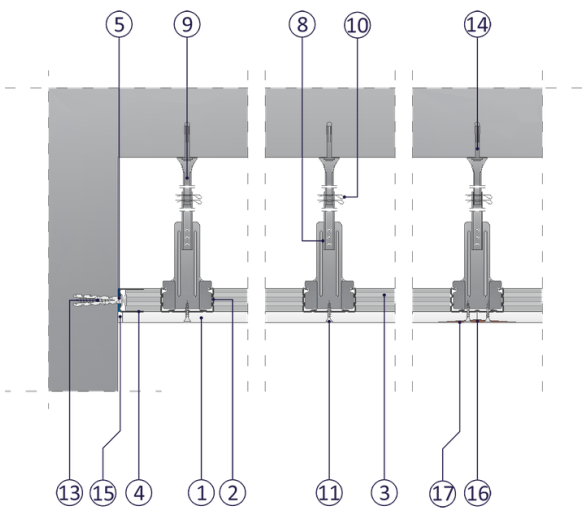


Fig. 2. Suspended ceiling horizontal section

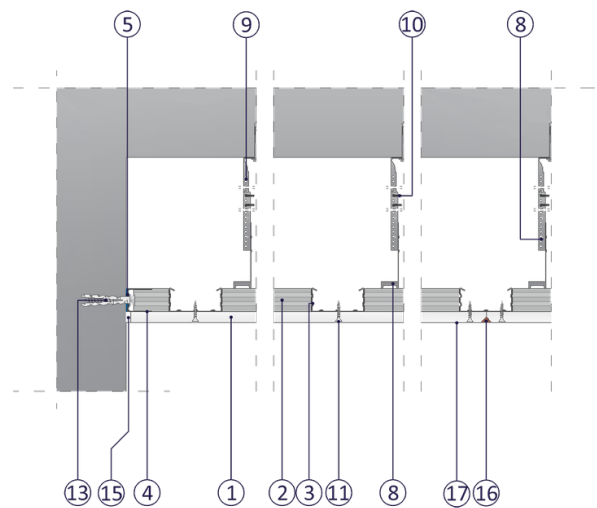


Fig. 3. Suspended ceiling vertical section