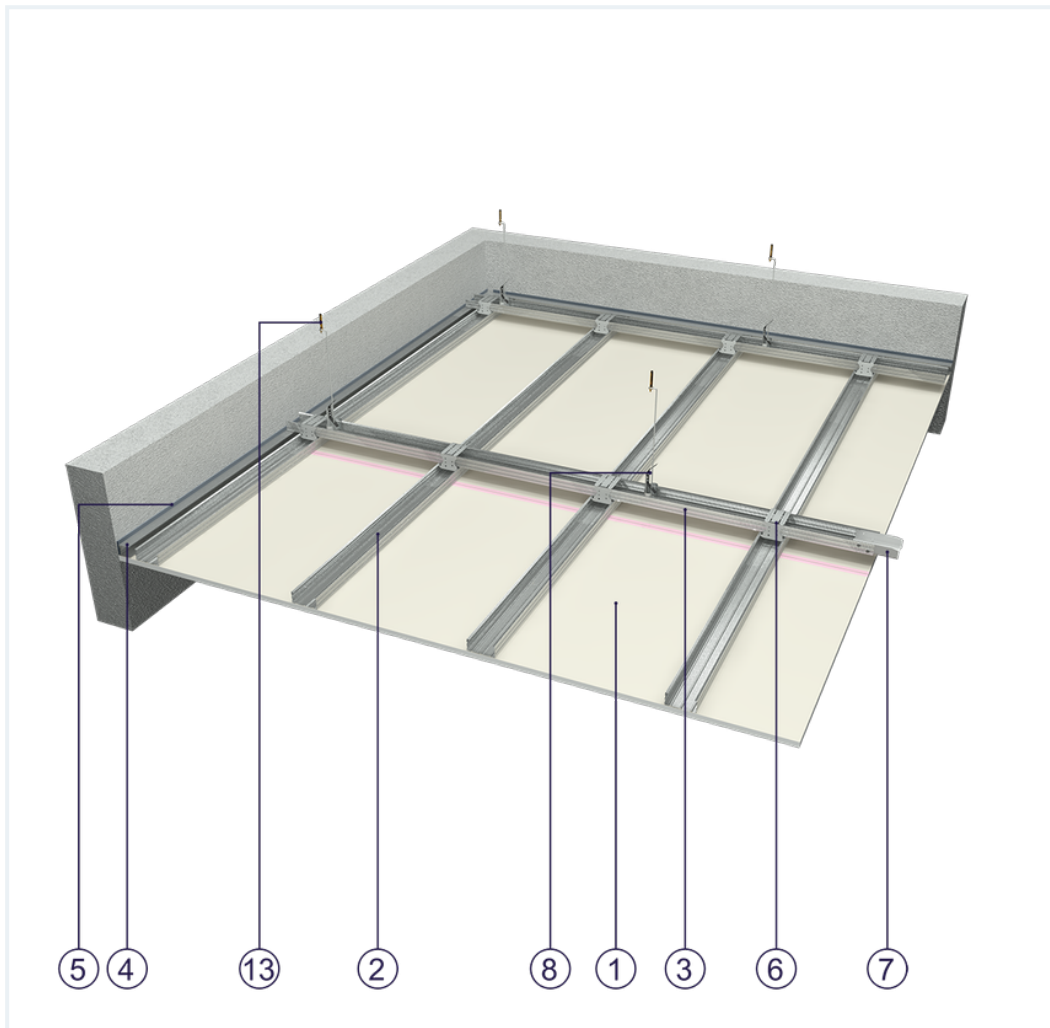


SYSTEM DATASHEET

Suspended ceiling SP - 1x12,5 GKF DF/CD 60, S

on a two-level grid made of CD 60 profiles mounted on swivel hangers with a spring and single, DF-type GKF boards with a thickness of 12.5 mm



Suspended ceiling elements

1. Norgips S GKF type DF gypsum plasterboard , thickness: 12.5 mm
2. Norgips CD 60 profiles for load-bearing layer, axial spacing every 40 cm
3. Norgips CD 60 profiles for upper layer, axial spacing every 100 cm
4. Profile Norgips UD 30
5. Optional Norgips sealing tape, width 30 mm
6. Norgips cross connectors
7. Norgips crosswise connectors
8. Norgips rotary hangers with springs, spacing every 85 cm
9. Norgips suspension rods
10. Norgips 3.5 x 25 mm sheet metal screws, max. spacing every 17 cm
11. Fastening pins, min. \varnothing 6 x 40 mm, max. spacing every 80 cm
12. Steel dowels, min. \varnothing 6 x 40 mm
13. Norgips Start & Finish ready-made joint compound or Norgips Start gypsum joint compound
14. Norgips reinforcing tape
15. Ready-made joint compound Norgips Extra Finish, ready-made joint compound Norgips Start & Finish, gypsum joint compound Norgips Finish

Technical data



Fire resistance class
EI 15 ¹⁾



Lining weight
13 kg/m² ²⁾

The above-mentioned parameters apply to a partition made of sheet metal profiles with a thickness of 0.55 and 0.6 mm.

In the SP - 1x12.5 GKF DF/CD 60. S system, the use of sheet metal profiles with a thickness of 0.5 mm is not allowed.

If a partition separates environments of various temperature levels, possible application of an insulating material must be preceded with an analysis of thermal and humidity conditions. Such an analysis may result, e.g. in the necessity to apply a vapour resistant foil.

1) Based on classification no. LBO-062-KZ/25E

2) The weight specified does not include the insulation material weight.

Standard

★ BASIC

Provides a lightweight stable building with basic fire resistance. A robust and cost-effective solution.



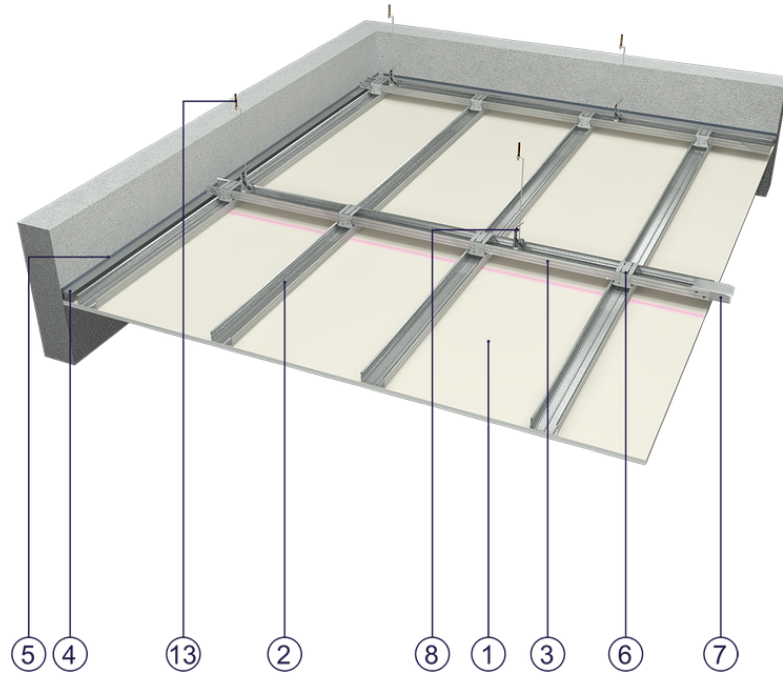


Fig. 1. Suspended ceiling view

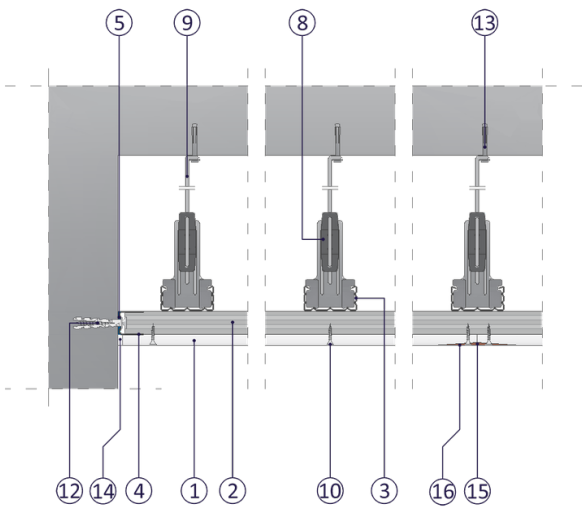


Fig. 2. Suspended ceiling horizontal section

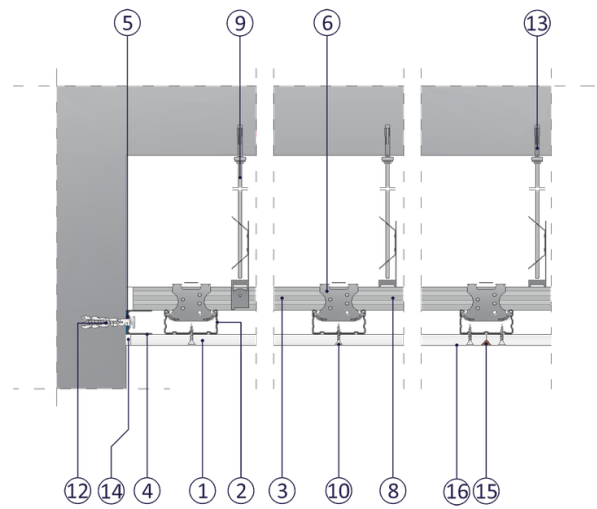


Fig. 3. Suspended ceiling vertical section