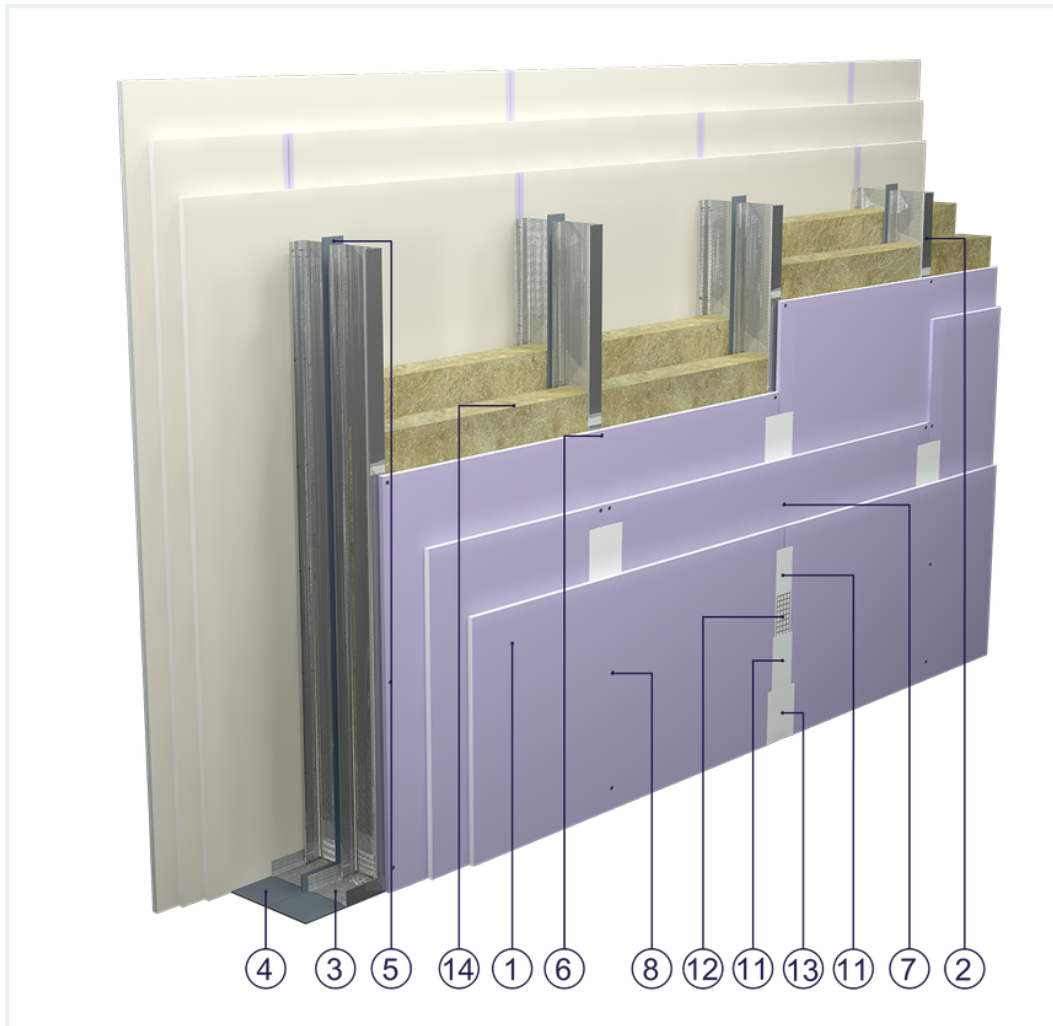


SYSTEM DATASHEET

Partition wall SD - 3x12,5 DFH2IRE/2xCW 100 2xW





on a double structure of CW 100 and UW 100 profiles with triple DFH2IR boards. 12.5 mm with mineral wool filling



Partition wall components

1. Norgips S plasterboard type DFH2IR , thickness: 12.5 mm
2. Norgips CW 100 profiles, max. axial spacing every 60 cm
3. Norgips UW 100 profiles mounted on horizontal load-bearing elements
4. Norgips sealing tape, width 100 mm
5. Norgips sealing tape, width 50 mm
6. Norgips 3.5 x 25 mm sheet metal screws, max. spacing every 75 cm
7. Norgips 3.5 x 35 mm sheet metal screws, max. spacing every 50 cm
8. Norgips 3.5 x 55 mm sheet metal screws, max. spacing every 25 cm
9. Fastening pins, min. \varnothing 6 x 40 mm, max. spacing every 80 cm
10. Openings in studs for installation wires
11. Norgips Start & Finish ready-made joint compound or Norgips Start gypsum joint compound
12. Norgips reinforcing tape
13. Ready-made joint compound Norgips Extra Finish, ready-made joint compound Norgips Start & Finish, gypsum joint compound Norgips Finish
14. Mineral wool

Technical data

 Fire resistance class EI 180 ($h_{\max}=6.5$ m) ^{1) 2)}	 Max height 6.5 m ¹⁾
 Wall mass 75 kg/m ² ³⁾	 Acoustic insulation $R_W=72$ dB $R_{A1}=69$ dB

The above-mentioned parameters apply to a partition made of sheet metal profiles with a thickness of 0.55 and 0.6 mm.

- 1) The stated heights apply to constructions with a profile spacing of 600 mm. When a structure with profiles spaced every 300 or 400 mm is used, the permissible wall height increases. Contact system provider representatives for details. The stated heights apply to rooms where only a few persons are present simultaneously (e.g. rooms in flats, hotels, hospitals). In rooms where a large number of persons are present simultaneously (e.g. conference rooms, classrooms, lecture halls), the permissible height is 5.8 m.
- 2) Based on classification no. LBO-758-K/22
- 3) The weight specified does not include the insulation material weight.

Standard

☆☆☆ SUPER

It provides a very stable building with the highest fire resistance, sound insulation and hardness. Increased moisture resistance.



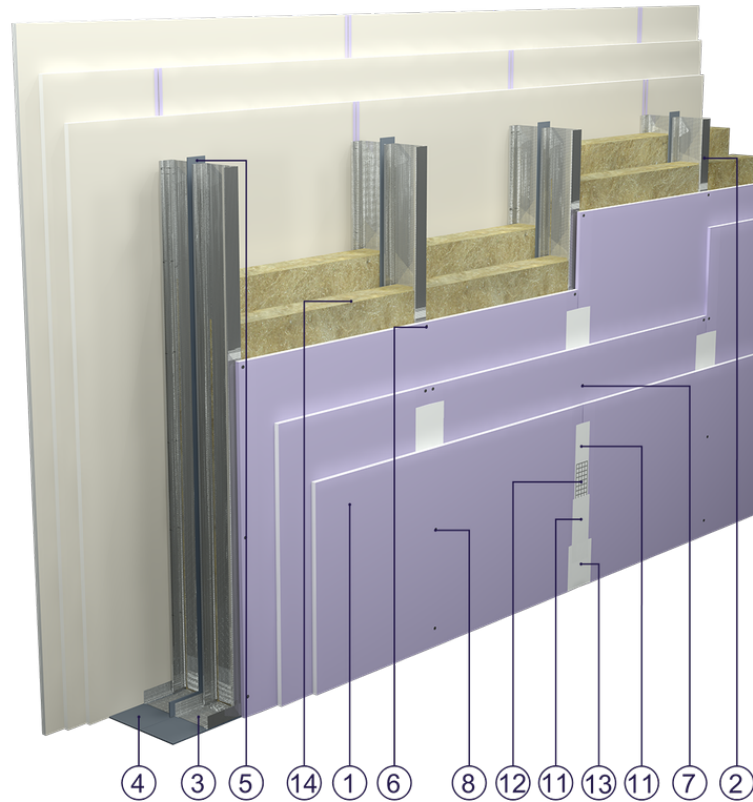


Fig. 1. Partition wall view

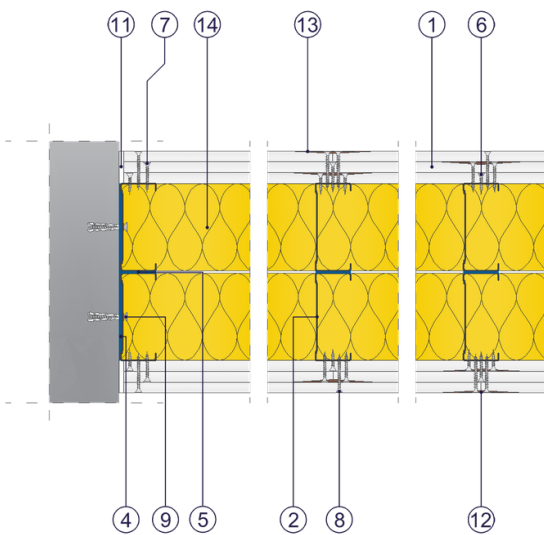


Fig. 2. Partition wall horizontal section

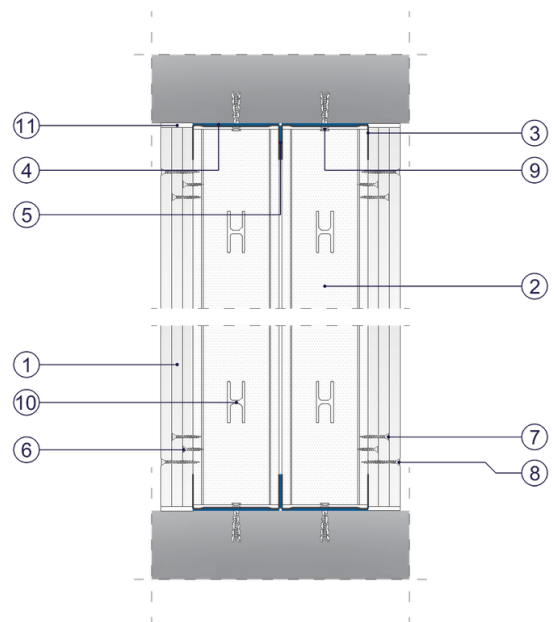


Fig. 3. Partition wall vertical section