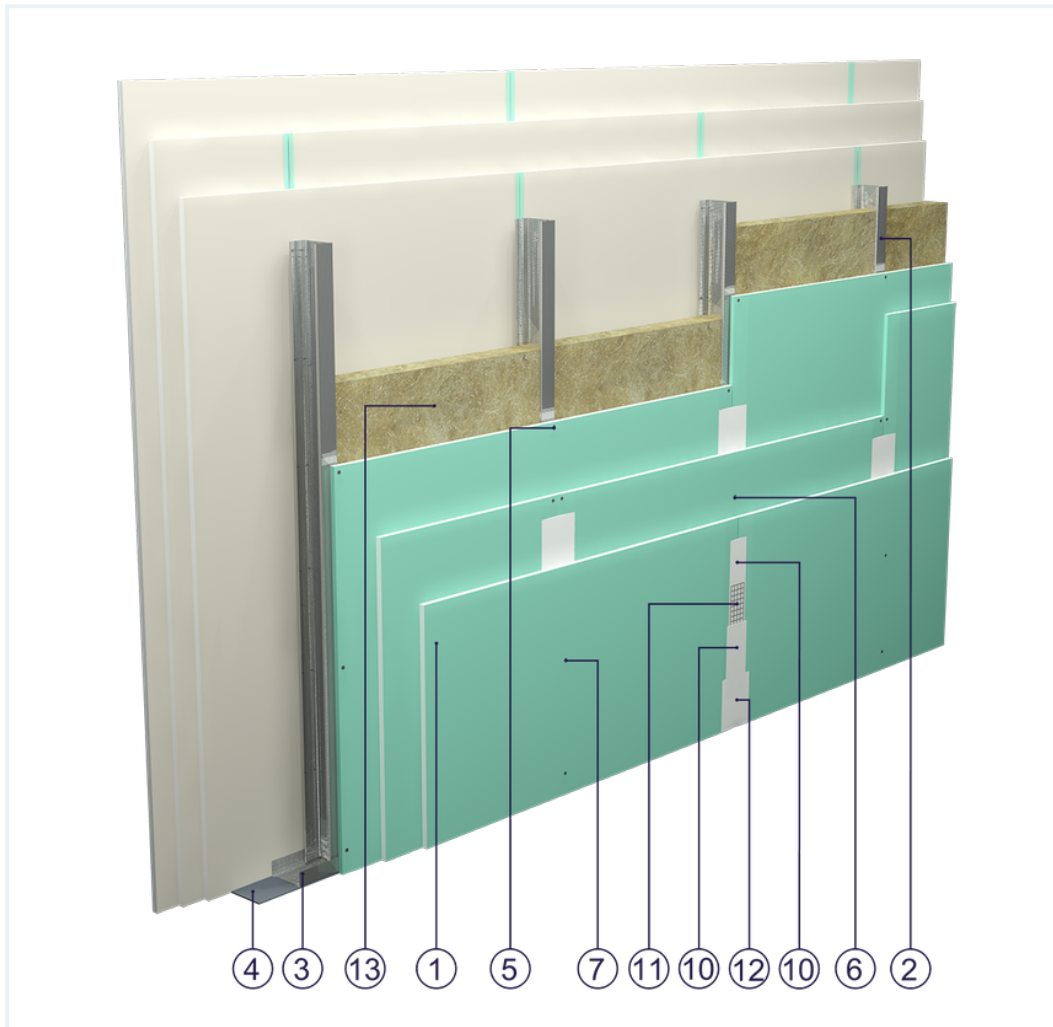


## SYSTEM DATASHEET

### Partition wall SD - 3x12,5 GKBI H2/CW 75 W





on a structure made of CW 75 and UW 75 profiles with triple sheathing with GKBI type H2 boards, thickness: 12.5 mm with mineral wool filling



## Partition wall components

1. Norgips S GKBI type H2 gypsum plasterboard , thickness: 12.5 mm
2. Norgips CW 75 profiles, max. axial spacing every 60 cm
3. Norgips UW 75 profiles mounted on horizontal load-bearing elements
4. Norgips sealing tape, width 75 mm
5. Norgips 3.5 x 25 mm sheet metal screws, max. spacing every 75 cm
6. Norgips 3.5 x 35 mm sheet metal screws, max. spacing every 50 cm
7. Norgips 3.5 x 55 mm sheet metal screws, max. spacing every 25 cm
8. Fastening pins, min. Ø 6 x 40 mm, max. spacing every 80 cm
9. Openings in studs for installation wires
10. Norgips Start & Finish ready-made joint compound or Norgips Start gypsum joint compound
11. Norgips reinforcing tape
12. Ready-made joint compound Norgips Extra Finish, ready-made joint compound Norgips Start & Finish, gypsum joint compound Norgips Finish
13. Mineral wool

## Technical data

	Fire resistance class EI 60 <sup>4)</sup>		Max height 6.4 m <sup>1)</sup>
	Wall mass 48 kg/m <sup>2</sup> <sup>2)</sup>		Acoustic insulation $R_W=54$ dB <sup>3)</sup> $R_{A1}=51$ dB <sup>3)</sup>

The above-mentioned parameters apply to a partition made of sheet metal profiles with a thickness of 0.55 and 0.6 mm.

In special cases, 0.5 mm thick sheet metal profiles can be used, 0.5 mm provided that the spacing between CW profiles is decreased to 400 mm. The maximum height of such a wall must not exceed 4.0 m. The above fire resistance and sound insulation parameters do not apply to this type of partition. When reducing the spacing between profiles, the material consumption in the calculator should be adjusted.

- 1)** The stated heights apply to constructions with a profile spacing of 600 mm. When a structure with profiles spaced every 300 or 400 mm is used, the permissible wall height increases. Contact system provider representatives for details. The stated heights apply to rooms where only a few persons are present simultaneously (e.g. rooms in flats, hotels, hospitals). In rooms where a large number of persons are present simultaneously (e.g. conference rooms, classrooms, lecture halls), the permissible height is 5.4 m.
- 2)** The weight specified does not include the insulation material weight.
- 3)** Based on report no. LZFO0-02038/16/Z00NZF for 75 mm glass wool
- 4)** Based on classification no. LBO-127-KZ/24

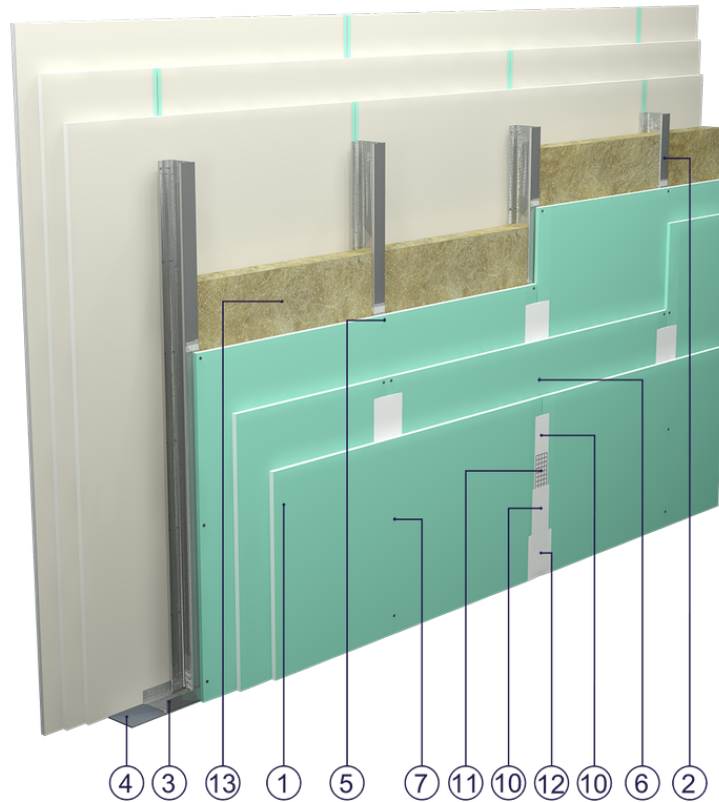


Fig. 1. Partition wall view

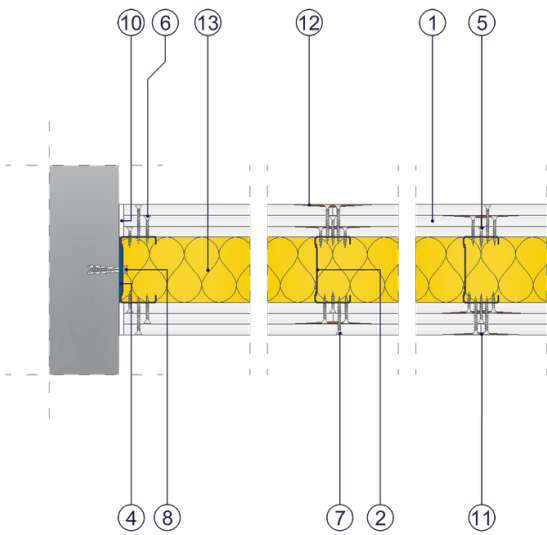


Fig. 2. Partition wall horizontal section

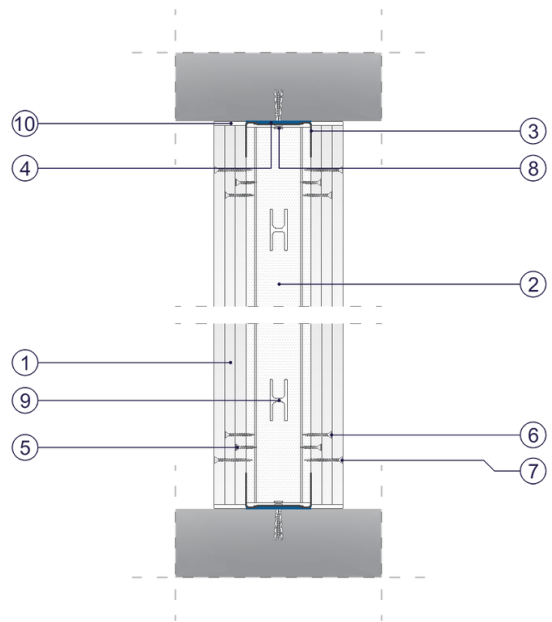


Fig. 3. Partition wall vertical section