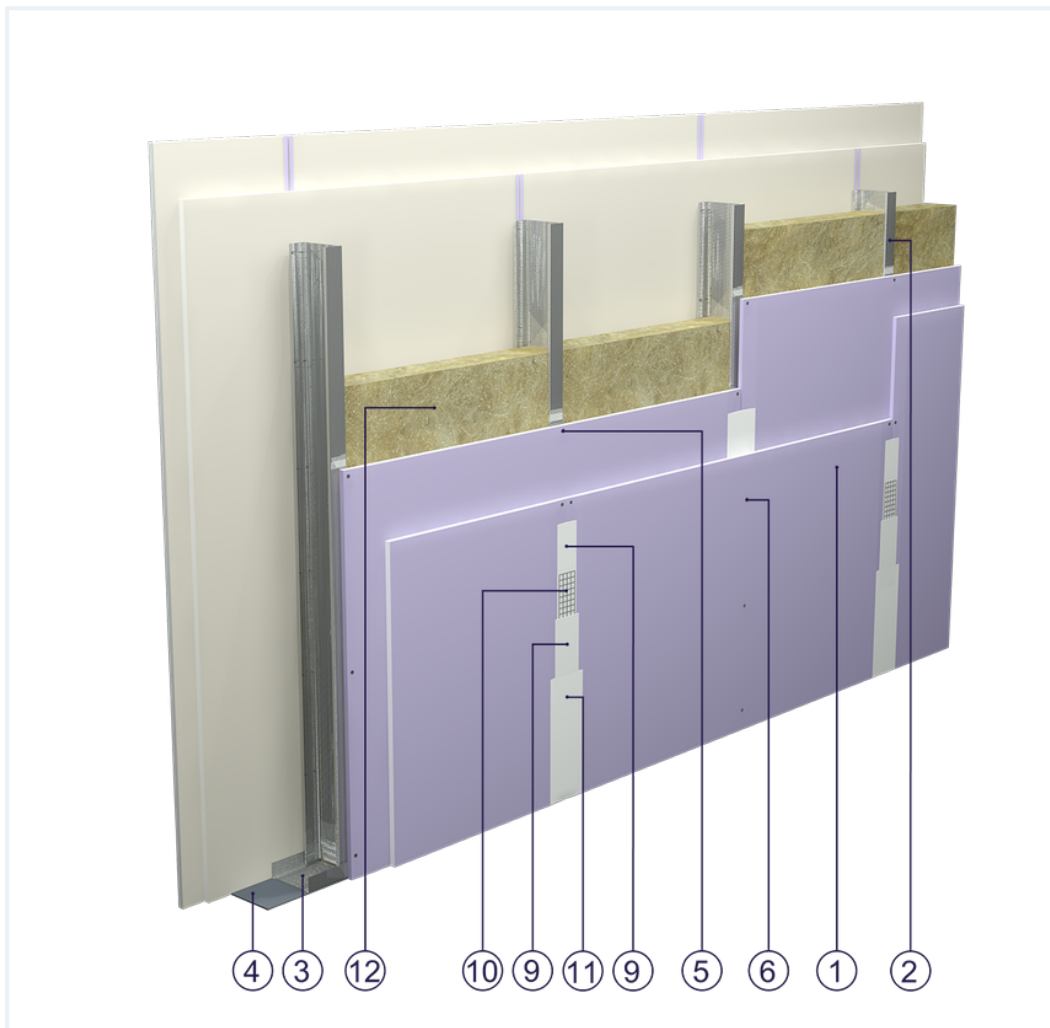


SYSTEM DATASHEET

Partition wall SD - 2x12,5 DFH2IRE/CW 100 W





on a structure made of CW 100 and UW 100 profiles with double DFH2IR boards, thickness: 12.5 mm with mineral wool filling



Partition wall components

1. Norgips S plasterboard type DFH2IR , thickness: 12.5 mm
2. Norgips CW 100 profiles, max. axial spacing every 60 cm
3. Norgips UW 100 profiles mounted on horizontal load-bearing elements
4. Norgips sealing tape, width 100 mm
5. Norgips 3.5 x 25 mm sheet metal screws, max. spacing every 75 cm
6. Norgips 3.5 x 35 mm sheet metal screws, max. spacing every 25 cm
7. Fastening pins, min. \varnothing 6 x 40 mm, max. spacing every 80 cm
8. Openings in studs for installation wires
9. Norgips Start & Finish ready-made joint compound or Norgips Start gypsum joint compound
10. Norgips reinforcing tape
11. Ready-made joint compound Norgips Extra Finish, ready-made joint compound Norgips Start & Finish, gypsum joint compound Norgips Finish
12. Mineral wool

Technical data

 Fire resistance class EI 120 ^{1) 2)}	 Max height 6.5 m ¹⁾
 Wall mass 50 kg/m ² ³⁾	 Acoustic insulation R _W =58 dB ⁴⁾ R _{A1} =57 dB ⁴⁾

The above-mentioned parameters apply to a partition made of sheet metal profiles with a thickness of 0.55 and 0.6 mm.

- 1)** The stated heights apply to constructions with a profile spacing of 600 mm. When a structure with profiles spaced every 300 or 400 mm is used, the permissible wall height increases. Contact system provider representatives for details. The stated heights apply to rooms where only a few persons are present simultaneously (e.g. rooms in flats, hotels, hospitals). In rooms where a large number of persons are present simultaneously (e.g. conference rooms, classrooms, lecture halls), the permissible height is 5.4 m.
- 2)** Based on classification no. LBO-060-KZ/20
- 3)** The weight specified does not include the insulation material weight.
- 4)** Based on report no. LA02-06041/13/R14NA for 100 mm glass wool

Standard

☆☆☆ SUPER

It provides a very stable building with the highest fire resistance, sound insulation and hardness. Increased moisture resistance.



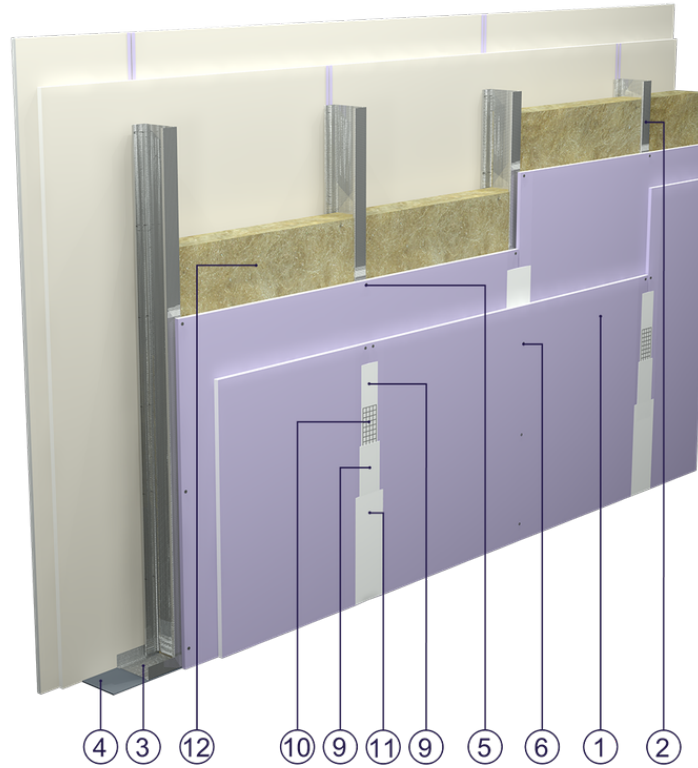


Fig. 1. Partition wall view

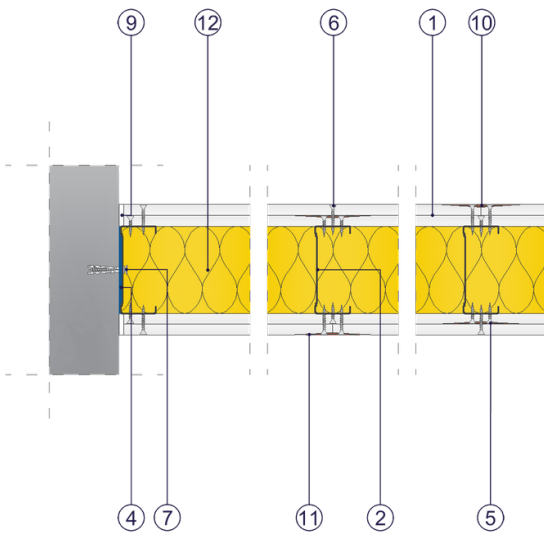


Fig. 2. Partition wall horizontal section

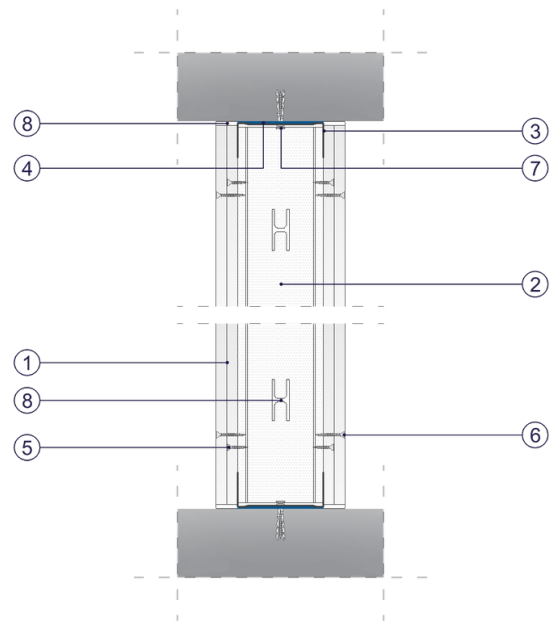


Fig. 3. Partition wall vertical section