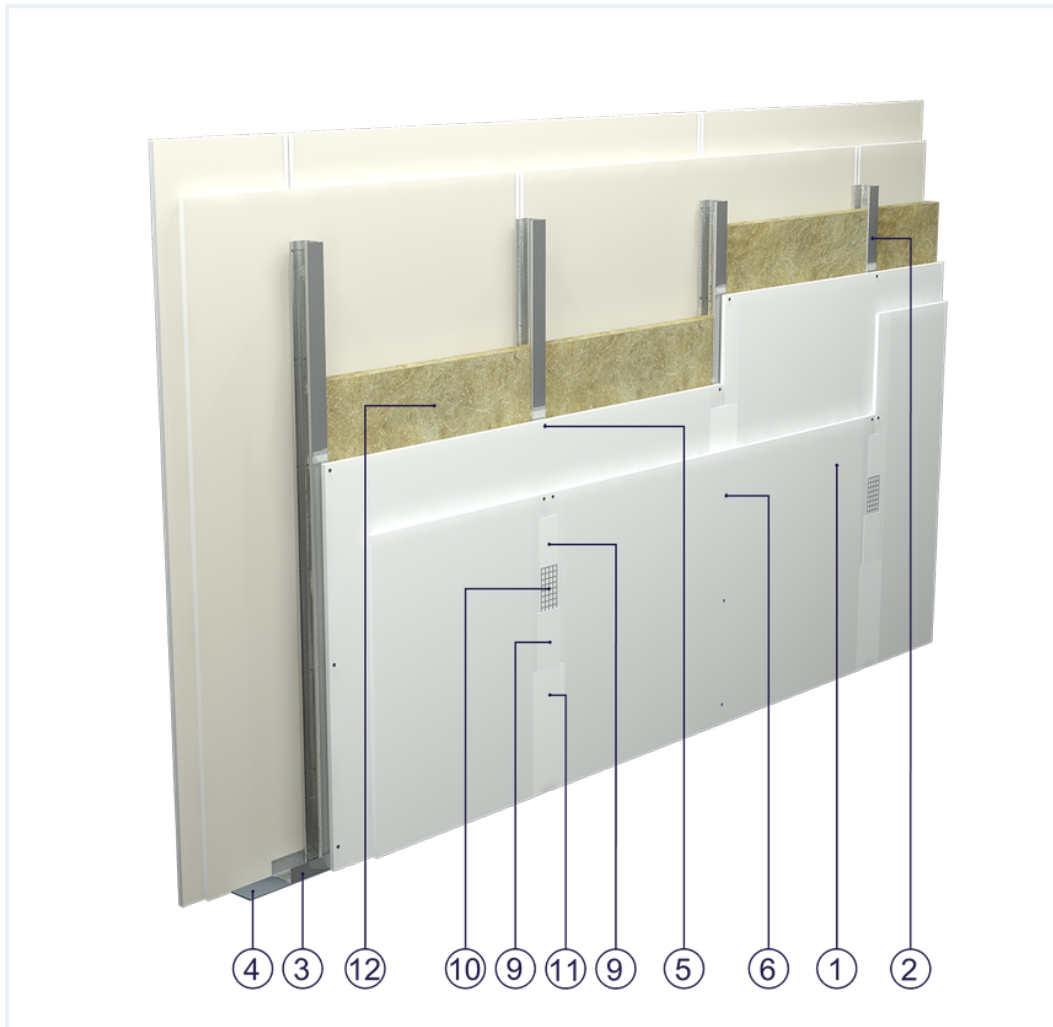


## SYSTEM DATASHEET

### Partition wall SD - 2x12,5 GKB A/CW 50 W





on a structure of CW 50 and UW 50 profiles with a thickness of 0.55 and 0.6 mm with double sheathing of GKB type A boards with a thickness of 12.5 mm with mineral wool filling



## Partition wall components

1. Norgips S GKB type A plasterboards of 12.5 mm thickness 12.5 mm
2. Norgips CW 50 profiles, max. axial spacing every 60 cm
3. Norgips UW 50 profiles mounted on horizontal load-bearing elements
4. Norgips sealing tape, width 50 mm
5. Norgips 3.5 x 25 mm sheet metal screws, max. spacing every 75 cm
6. Norgips 3.5 x 35 mm sheet metal screws, max. spacing every 25 cm
7. Fastening pins, min.  $\varnothing$  6 x 40 mm, max. spacing every 80 cm
8. Openings in studs for installation wires
9. Norgips Start & Finish ready-made joint compound or Norgips Start gypsum joint compound<sup>\*)</sup>
10. Norgips reinforcing tape<sup>\*)</sup>
11. Ready-made joint compound Norgips Extra Finish, ready-made joint compound Norgips Start & Finish, gypsum joint compound Norgips Finish<sup>\*)</sup>
12. Mineral wool

## Technical data

 Fire resistance class EI 60 ( $h_{\max}=4.2$ m) <sup>1) 2)</sup>	 Max height 4.2 m <sup>1)</sup>
 Wall mass 31 kg/m <sup>2</sup> <sup>3)</sup>	 Acoustic insulation $R_W=50$ dB <sup>4)</sup> $R_{A1}=46$ dB <sup>4)</sup>

The above-mentioned parameters apply to a partition made of sheet metal profiles with a thickness of 0.55 and 0.6 mm.

- 1) The stated heights apply to constructions with a profile spacing of 600 mm. When a structure with profiles spaced every 300 or 400 mm is used, the permissible wall height increases. Contact system provider representatives for details. The stated heights apply to rooms where only a few persons are present simultaneously (e.g. rooms in flats, hotels, hospitals). In rooms where a large number of persons are present simultaneously (e.g. conference rooms, classrooms, lecture halls), the permissible height is 3.5 m.
- 2) Based on classification no. LBO-127-KZ/24
- 3) The weight specified does not include the insulation material weight.
- 4) Based on report no. A190302 for 50 mm glass wool

## Standard

★★ RECOMMENDED

It provides higher building stability, fire resistance and sound insulation. The optimal solution.





Fig. 1. Partition wall view

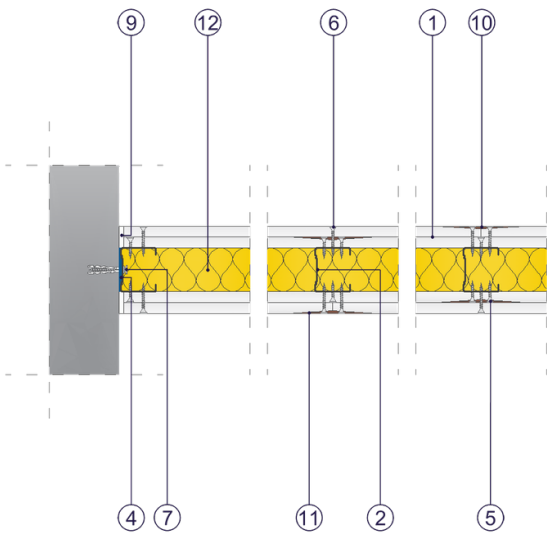


Fig. 2. Partition wall horizontal section

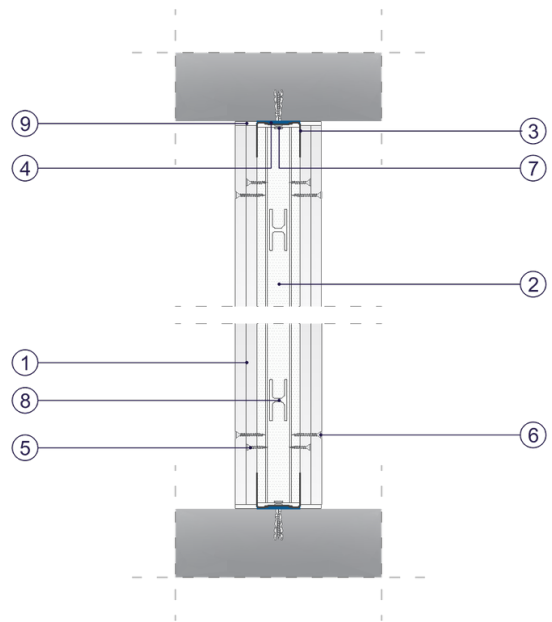


Fig. 3. Partition wall vertical section