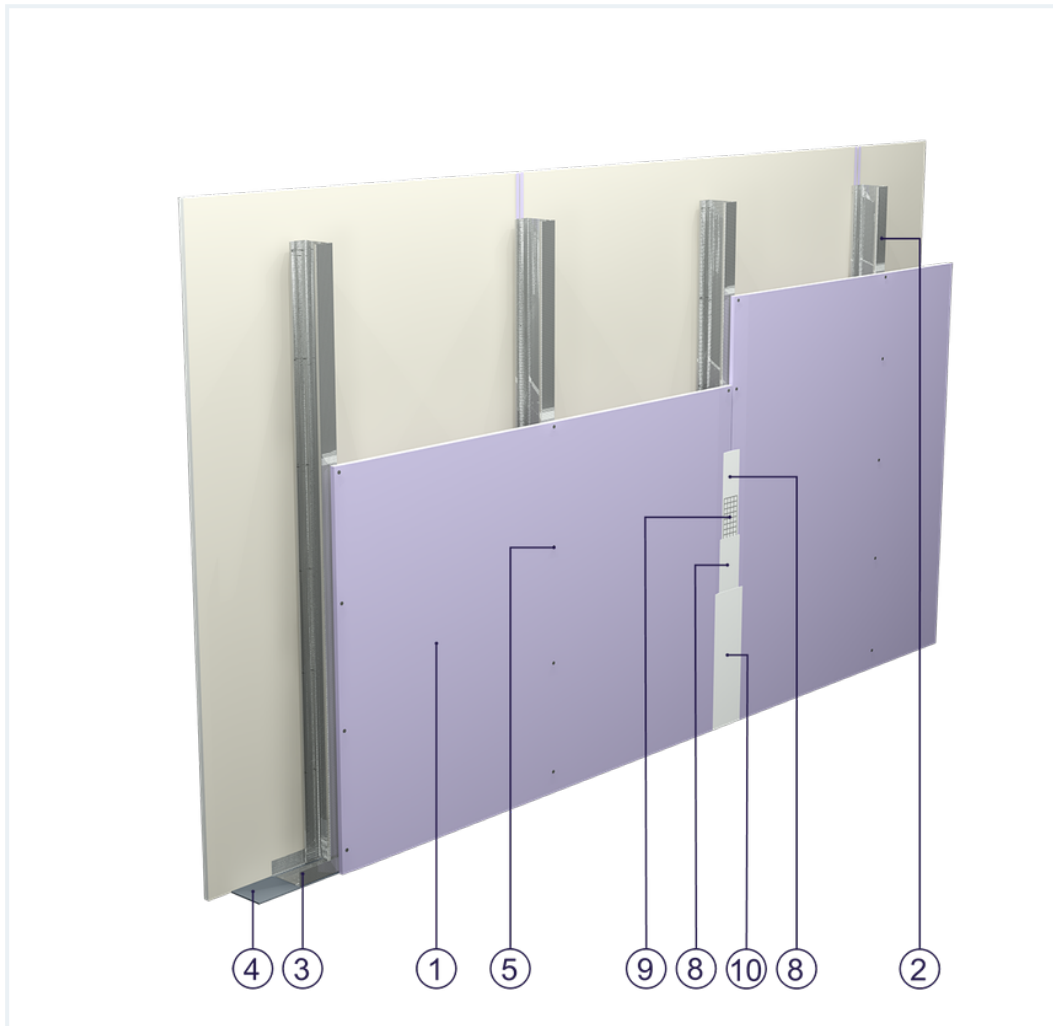


SYSTEM DATASHEET

Partition wall SD - 1x12,5 DFH2IRE/CW 75

on a CW 75 and UW 75 profile structure with single DFH2IR boards, thickness 12.5 mm without mineral wool filling



Partition wall components

1. Norgips S plasterboard type DFH2IR , thickness: 12.5 mm
2. Norgips CW 75 profiles, max. axial spacing every 60 cm
3. Norgips UW 75 profiles mounted on horizontal load-bearing elements
4. Norgips sealing tape, width 75 mm
5. Norgips 3.5 x 25 mm sheet metal screws, max. spacing every 25 cm
6. Fastening pins, min. Ø 6 x 40 mm, max. spacing every 80 cm
7. Openings in studs for installation wires
8. Norgips Start & Finish ready-made joint compound or Norgips Start gypsum joint compound
9. Norgips reinforcing tape
10. Ready-made joint compound Norgips Extra Finish, ready-made joint compound Norgips Start & Finish, gypsum joint compound Norgips Finish

Technical data



Fire resistance class
EI 30 ($h_{\max} = 4.4 \text{ m}$) ^{1) 2)}



Max height
4.4 m ¹⁾



Wall mass
26 kg/m²

The above-mentioned parameters apply to a partition made of sheet metal profiles with a thickness of 0.55 and 0.6 mm.

1) The stated heights apply to constructions with a profile spacing of 600 mm. When a structure with profiles spaced every 300 or 400 mm is used, the permissible wall height increases. Contact system provider representatives for details. The stated heights apply to rooms where only a few persons are present simultaneously (e.g. rooms in flats, hotels, hospitals). In rooms where a large number of persons are present simultaneously (e.g. conference rooms, classrooms, lecture halls), the permissible height is 3.7 m.

2) Based on classification no. LBO-100-KZ/22

Standard

★ BASIC

Provides a lightweight stable building with basic fire resistance. A robust and cost-effective solution.

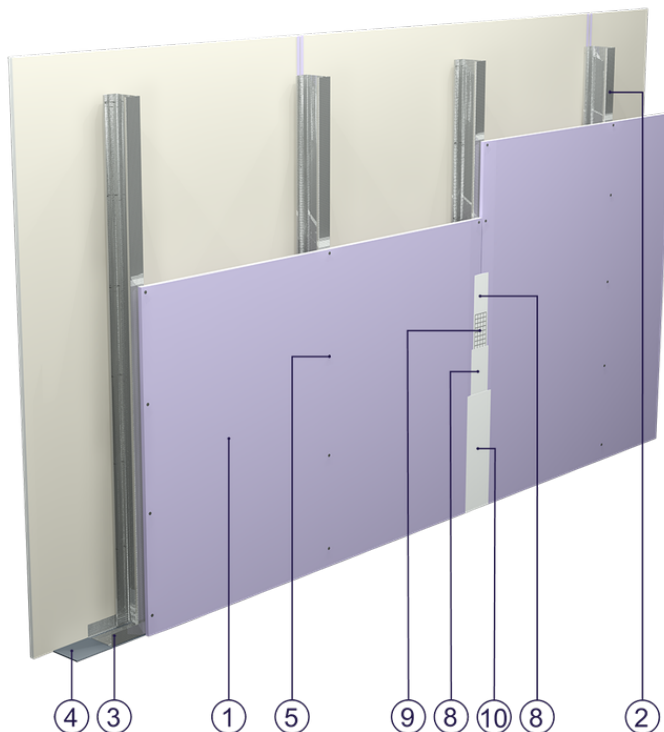


Fig. 1. Partition wall view

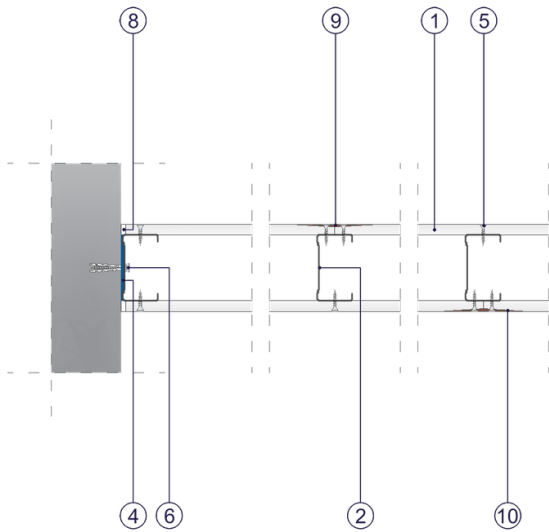


Fig. 2. Partition wall horizontal section

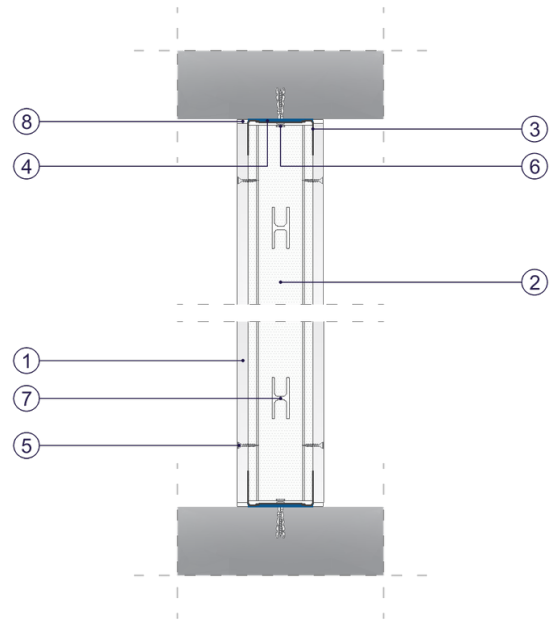


Fig. 3. Partition wall vertical section