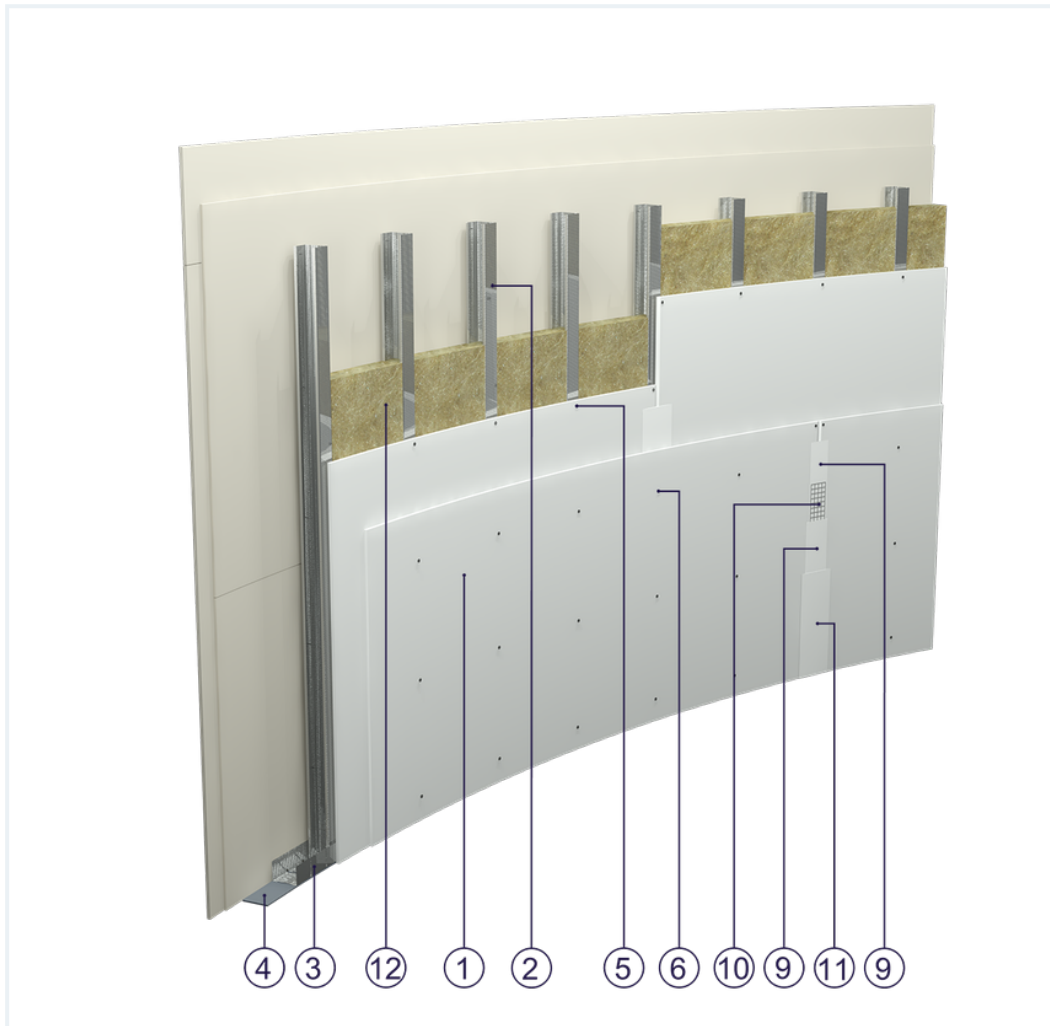


## SYSTEM DATASHEET

### Partition wall SDK - 2x6,5 Norflex A/CW 50 W

on a structure made of CW 50 and U 50 profiles, double with Norflex A-type boards, thickness 6.5 mm with mineral wool filling



### Partition wall components

1. Norgips S GKB type A plasterboards of 12.5 mm thickness 6.5 mm
2. Norgips CW 50 profiles, max. axial spacing every 40 cm
3. Norgips U 50 profiles mounted on horizontal load-bearing elements
4. Norgips sealing tape, width 50 mm
5. Norgips 3.5 x 25 mm sheet metal screws, max. spacing every 75 cm
6. Norgips 3.5 x 25 mm sheet metal screws, max. spacing every 25 cm
7. Fastening pins, min.  $\varnothing$  6 x 40 mm, max. spacing every 80 cm
8. Openings in studs for installation wires
9. Norgips Start & Finish ready-made joint compound or Norgips Start gypsum joint compound
10. Norgips reinforcing tape
11. Ready-made joint compound Norgips Extra Finish, ready-made joint compound Norgips Start & Finish, gypsum joint compound Norgips Finish
12. Optional mineral wool

## Technical data



Max height  
4.0 m <sup>1)</sup>



Wall mass  
23 kg/m<sup>2</sup> <sup>2)</sup>

The above-mentioned parameters apply to a partition made of sheet metal profiles with a thickness of 0.55 and 0.6 mm.

- 1)** The stated heights apply to constructions with a profile spacing of 600 mm. When a structure with profiles spaced every 300 or 400 mm is used, the permissible wall height increases. Contact system provider representatives for details. The stated heights apply to rooms where only a few persons are present simultaneously (e.g. rooms in flats, hotels, hospitals). In rooms where a large number of persons are present simultaneously (e.g. conference rooms, classrooms, lecture halls), the permissible height is 3.5 m.
- 2)** The weight specified does not include the insulation material weight.

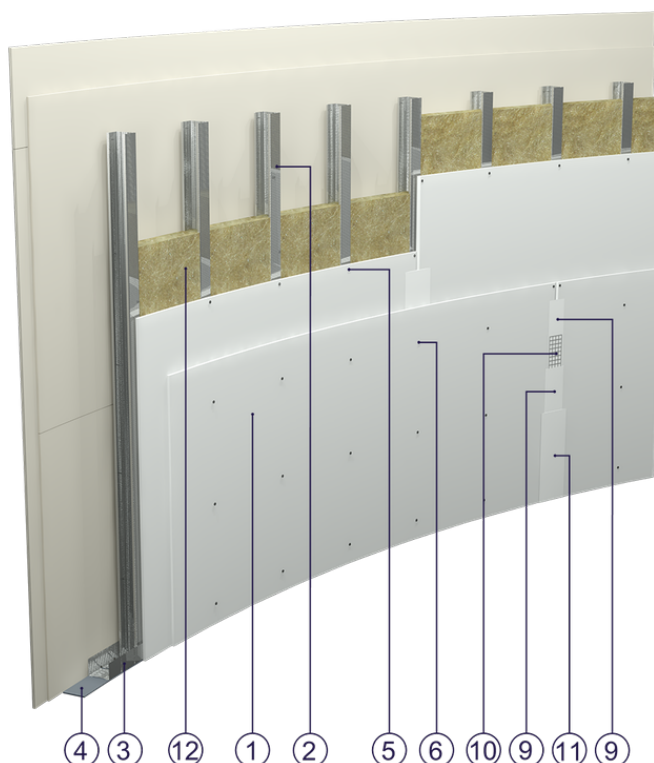


Fig. 1. Partition wall view

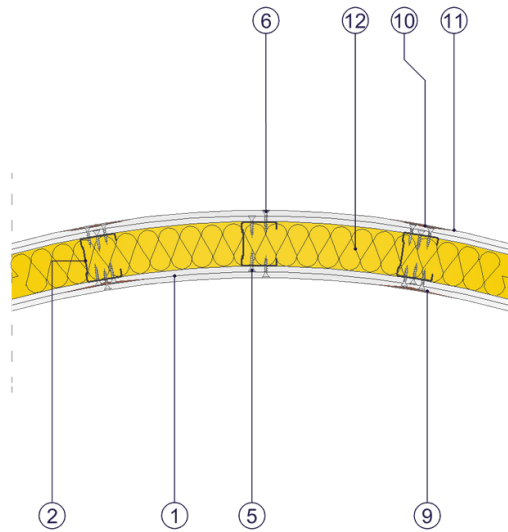


Fig. 2. Partition wall horizontal section

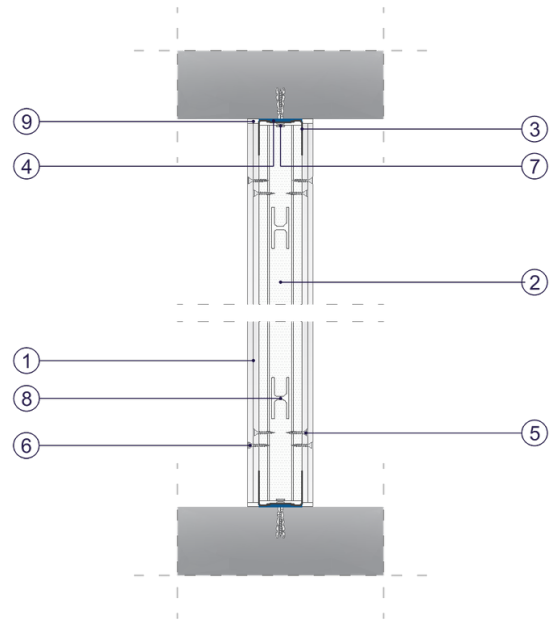


Fig. 3. Partition wall vertical section