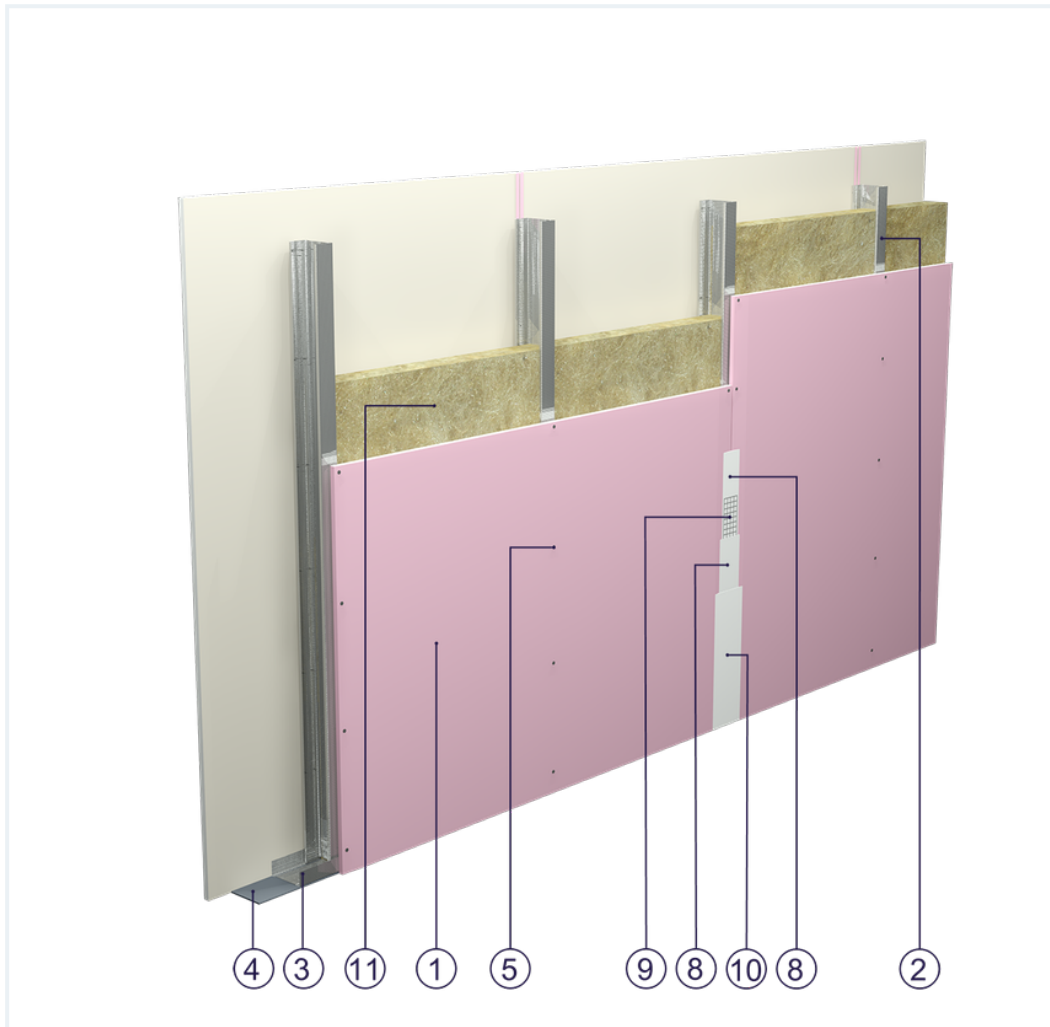


## SYSTEM DATASHEET

### Partition wall SD - 1x12,5 GKF DF/CW 75 W





on a CW 75 and UW 75 profile structure with a single sheathing of DF type GKF boards with a thickness of 12.5 mm with mineral wool filling



### Partition wall components

1. Norgips S GKF type DF gypsum plasterboard , thickness: 12.5 mm
2. Norgips CW 75 profiles, max. axial spacing every 60 cm
3. Norgips UW 75 profiles mounted on horizontal load-bearing elements
4. Norgips sealing tape, width 75 mm
5. Norgips 3.5 x 25 mm sheet metal screws, max. spacing every 25 cm
6. Fastening pins, min.  $\varnothing$  6 x 40 mm, max. spacing every 80 cm
7. Openings in studs for installation wires
8. Norgips Start & Finish ready-made joint compound or Norgips Start gypsum joint compound
9. Norgips reinforcing tape
10. Ready-made joint compound Norgips Extra Finish, ready-made joint compound Norgips Start & Finish, gypsum joint compound Norgips Finish
11. Mineral wool

## Technical data

 Fire resistance class EI 60 ( $h_{\max}=4.4$ m) <sup>1) 2)</sup>	 Max height 4.4 m <sup>1)</sup>
 Wall mass 23 kg/m <sup>2</sup> <sup>3)</sup>	 Acoustic insulation $R_W=47$ dB <sup>4)</sup> $R_{W1}=47$ dB <sup>5)</sup> $R_{A1}=42$ dB <sup>4)</sup> $R_{A2}=42$ dB <sup>5)</sup>

The above-mentioned parameters apply to a partition made of sheet metal profiles with a thickness of 0.55 and 0.6 mm.

- 1)** The stated heights apply to constructions with a profile spacing of 600 mm. When a structure with profiles spaced every 300 or 400 mm is used, the permissible wall height increases. Contact system provider representatives for details. The stated heights apply to rooms where only a few persons are present simultaneously (e.g. rooms in flats, hotels, hospitals). In rooms where a large number of persons are present simultaneously (e.g. conference rooms, classrooms, lecture halls), the permissible height is 3.7 m.
- 2)** Based on classification no. LBO-059/K/20 for 50 mm rock wool
- 3)** The weight specified does not include the insulation material weight.
- 4)** Based on report no. LA00-06041/12/R02NA for 75 mm glass wool
- 5)** Based on report no. LA00-06041/12/R02NA for 70 mm rock wool

## Standard

### ★ BASIC

Provides a lightweight stable building with basic fire resistance. A robust and cost-effective solution.



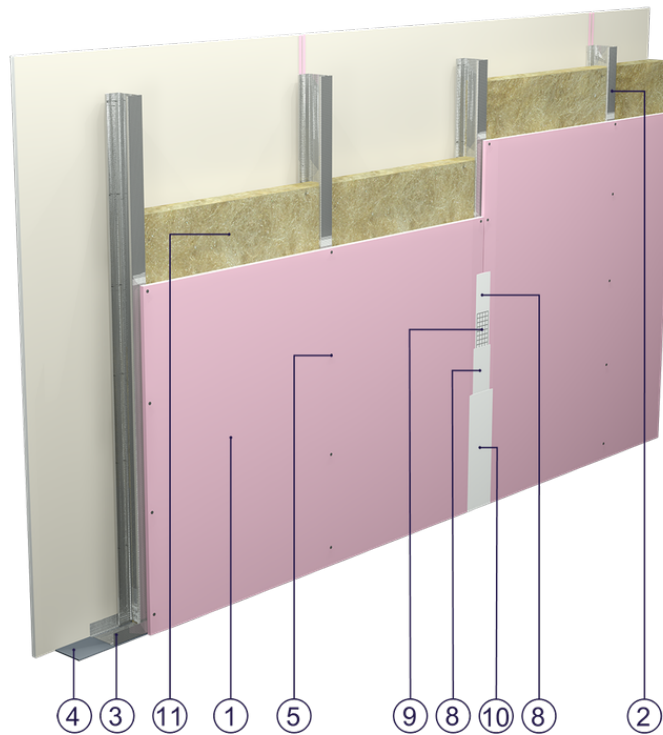


Fig. 1. Partition wall view

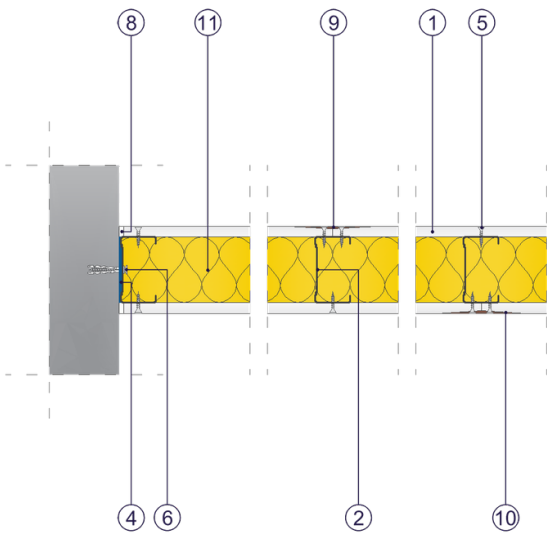


Fig. 2. Partition wall horizontal section

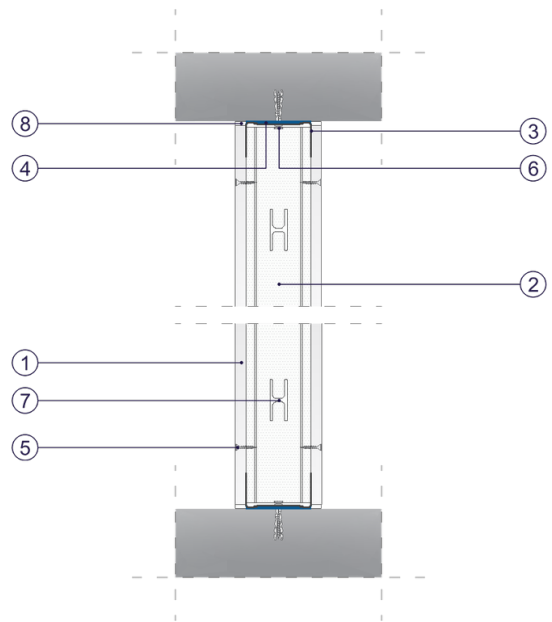


Fig. 3. Partition wall vertical section